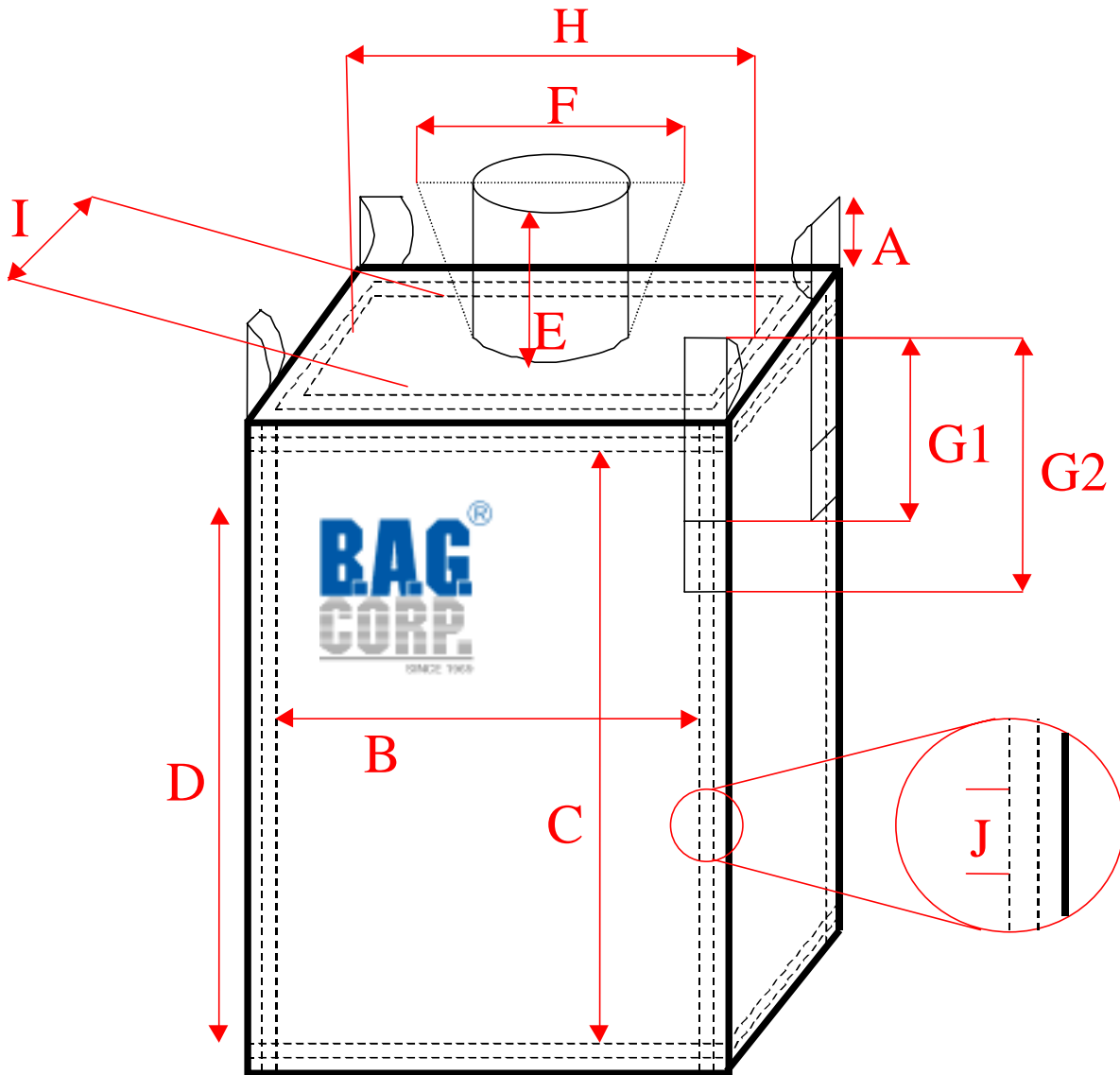


# Instructions on the Proper Measurement of a Four-Panel Bulk Bag



- A Loop Size – measure from top of loop (lay flat) to top of side panel
- B Side Width – measure in center of bag between inside sew lines
- C Side Length (Bag Height) – measure in center of side between top and bottom sew lines
- D Fill Height – 4 inches less than “C” measurement
- E Chute Length – measure from chute setting seam to free end of chute
- F Chute Width – lay flat to measure (from the fold to inside of seam)\*  
 \*multiply by 2 and divide by 3.14 to determine chute diameter ( $22 \times 2 = 44 \div 3.14 = 14$ ” diam.)
- G Strap Length – G1 + G2 (one end of strap likely to be sewn longer than the other)
- H Top Width – measure between inside sew lines just to the side of the chute
- I Top Length - measure between inside sew lines just to the side of the chute
- J Stitches Per Inch – measure in the center of a piece seam