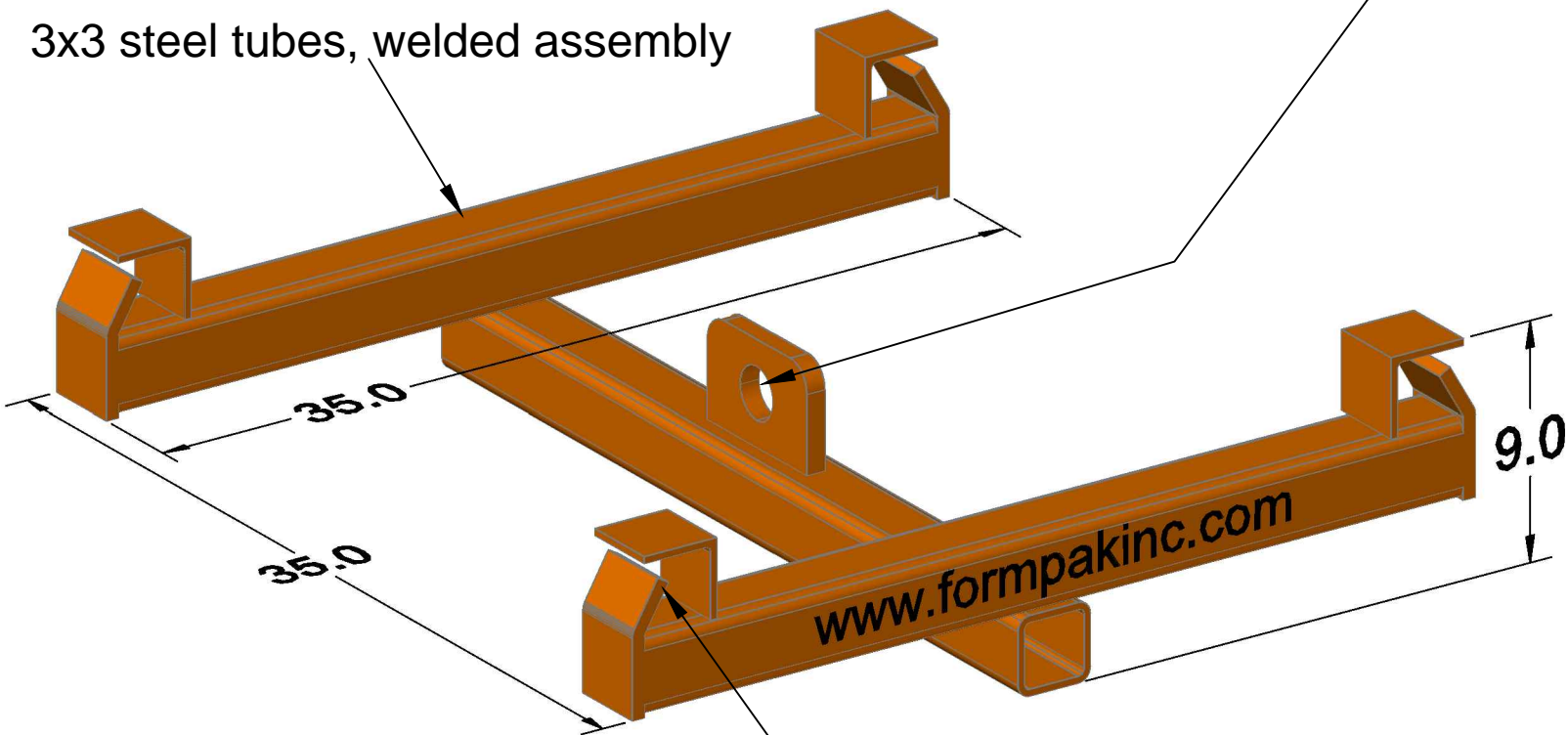


FormPak CA-100 Crane Adapter

This device can easily lift the industry standard two metric ton (about 4400 lbs) heavy bulk bag. If you have an overhead crane, this simple part can make handling bulk bags a breeze.

Overhead hoist hook goes in this hole.

3x3 steel tubes, welded assembly



Sturdy bag holders mean bag straps are easily placed and removed, and stay put while in use.

This device is 35" x 35" x 9" and weighs roughly 95lbs.

FormPak, Inc. Meeting Your Materials Handling Needs Since 1968