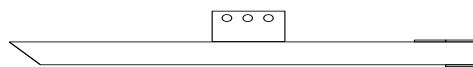


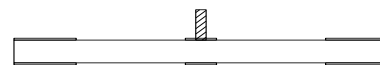
BagLift 100-FF (Bulk Bag Flying Fork Crane Adapter)

Allows for single point pickup for bulk bag utilizing holder arms. This device is primarily used for handling sleeve style bulk bags.

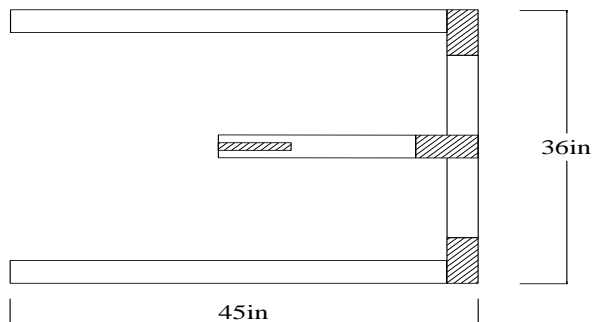
- Dimension: 36" X 45" (Other sizes available)
- Capacity: 4,400lbs
- Construction: Painted Mild Steel, Stainless Steel, Aluminum



SIDE VIEW



BACK VIEW



TOP VIEW