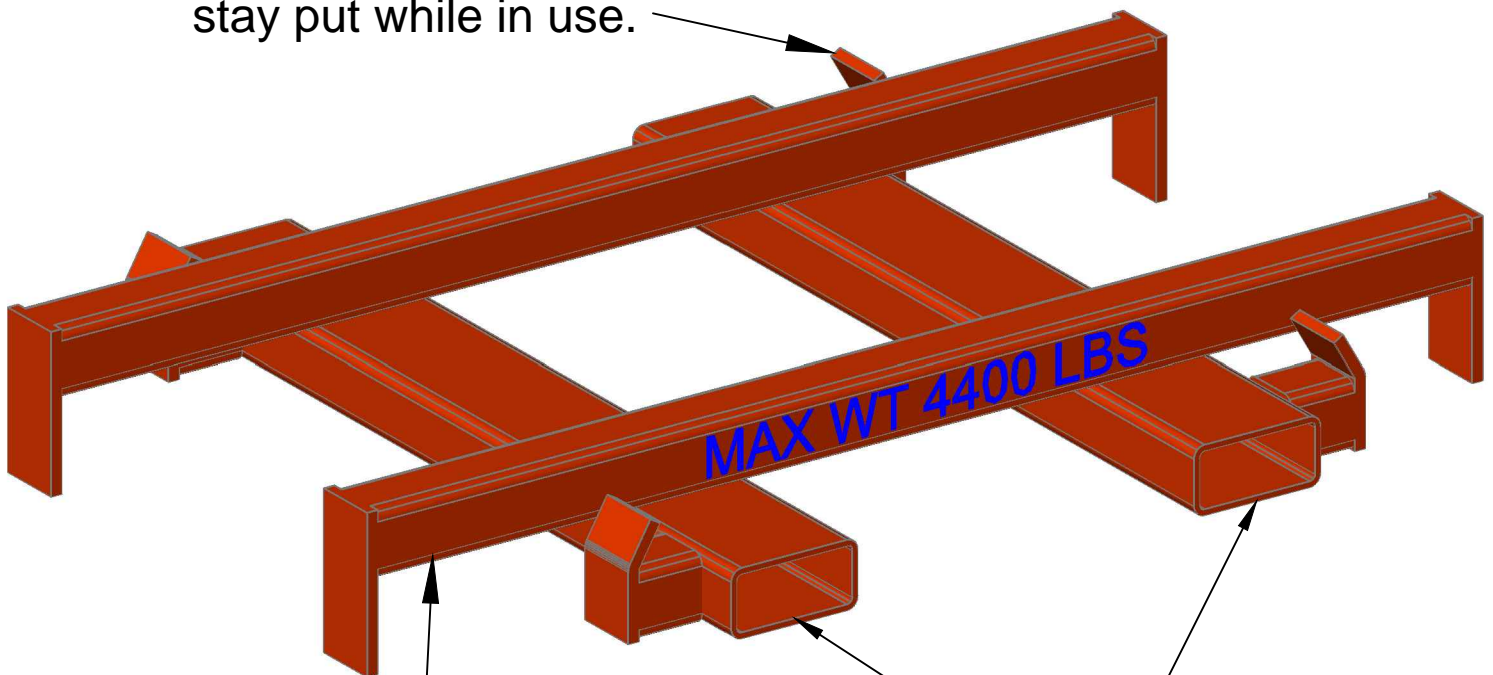


FormPak, Inc.

Meeting Your Materials Handling Needs Since 1968

This device can easily lift the industry standard two metric ton (about 4400 lbs) bulk bag. It allows a forklift truck operator to move bulk bags and to place them directly in the FormPak BBU

Sturdy bag holders mean bag straps are easily placed and removed, and stay put while in use.



3" x 3" steel tubes rest on BBU frame here. (4PL)

3" x 6" Steel tubes accept forks

"Gaudy color for safety."

BagLift-500FA Fork Lift Adapter