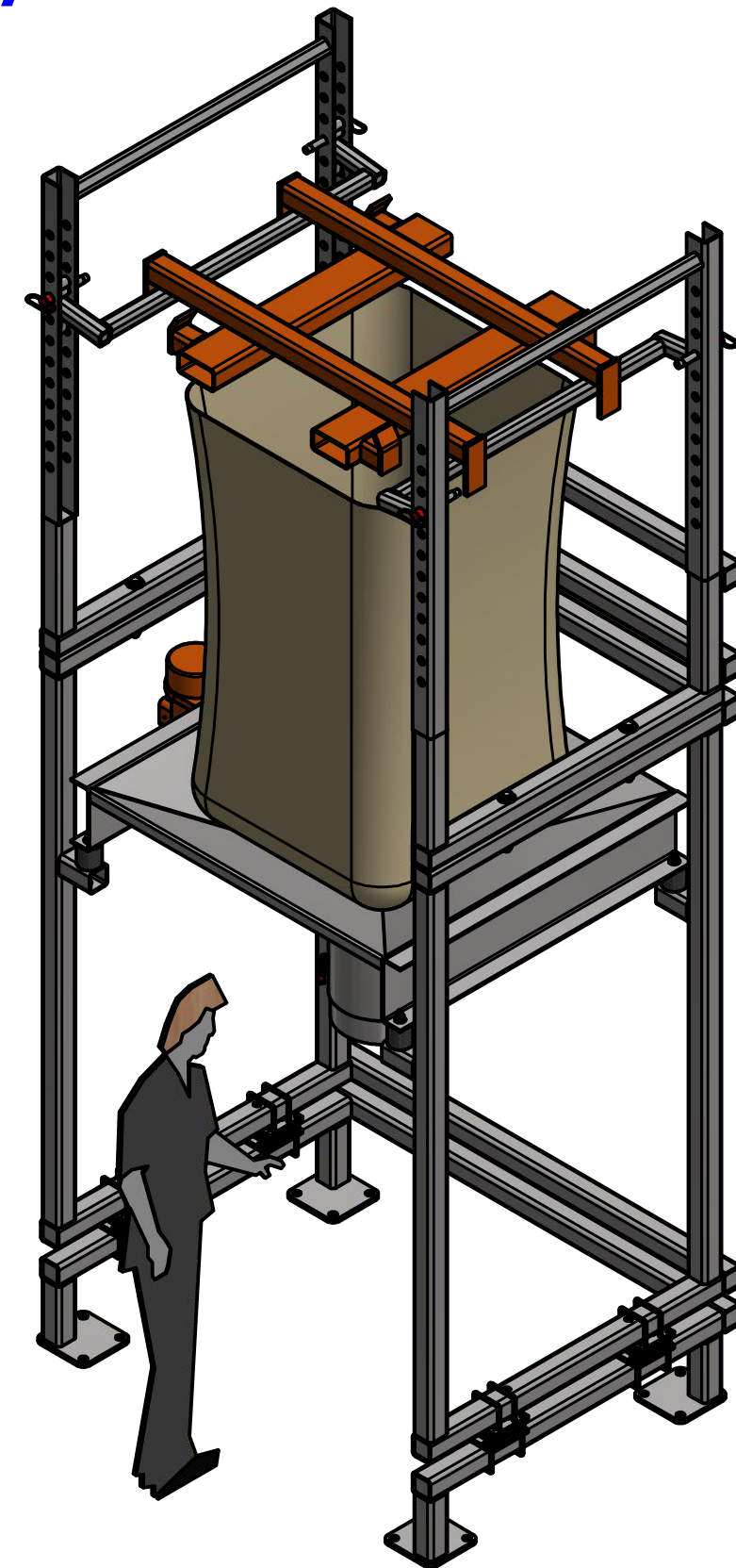


FormPak BagFlo-500FL (Fork Lift loaded) Bag Unloading System

- Heavy-Duty (3" x 3" x 1/4" wall) tubular steel frame and cross supports, adjustable bag/adapter supports for multiple sized bags, (4) pre-drilled plate steel mounting feet
mild steel construction - coated in enamel paint
optional upgrade to stainless steel available
- BagLift-500FA - Fork Lift adapter to lift bag by straps
mild steel construction - coated in enamel paint
optional upgrade to stainless steel available
- 48" X 48" bag support pan with gyrator mounting plate, 12" outlet flange suitable for mounting access box or iris valve
mild steel construction - coated in enamel paint
optional upgrade to stainless steel available
- Gasketed access door/light duty, 12" flanged top with clamp to attach to unloader discharge
mild steel construction - coated in enamel paint
optional upgrade to stainless steel available
- 12" RCN (Rubber Coated Nylon) flex sleeve, (2) stainless steel clamps for mounting between access box and equipment below

Optional Upgrades

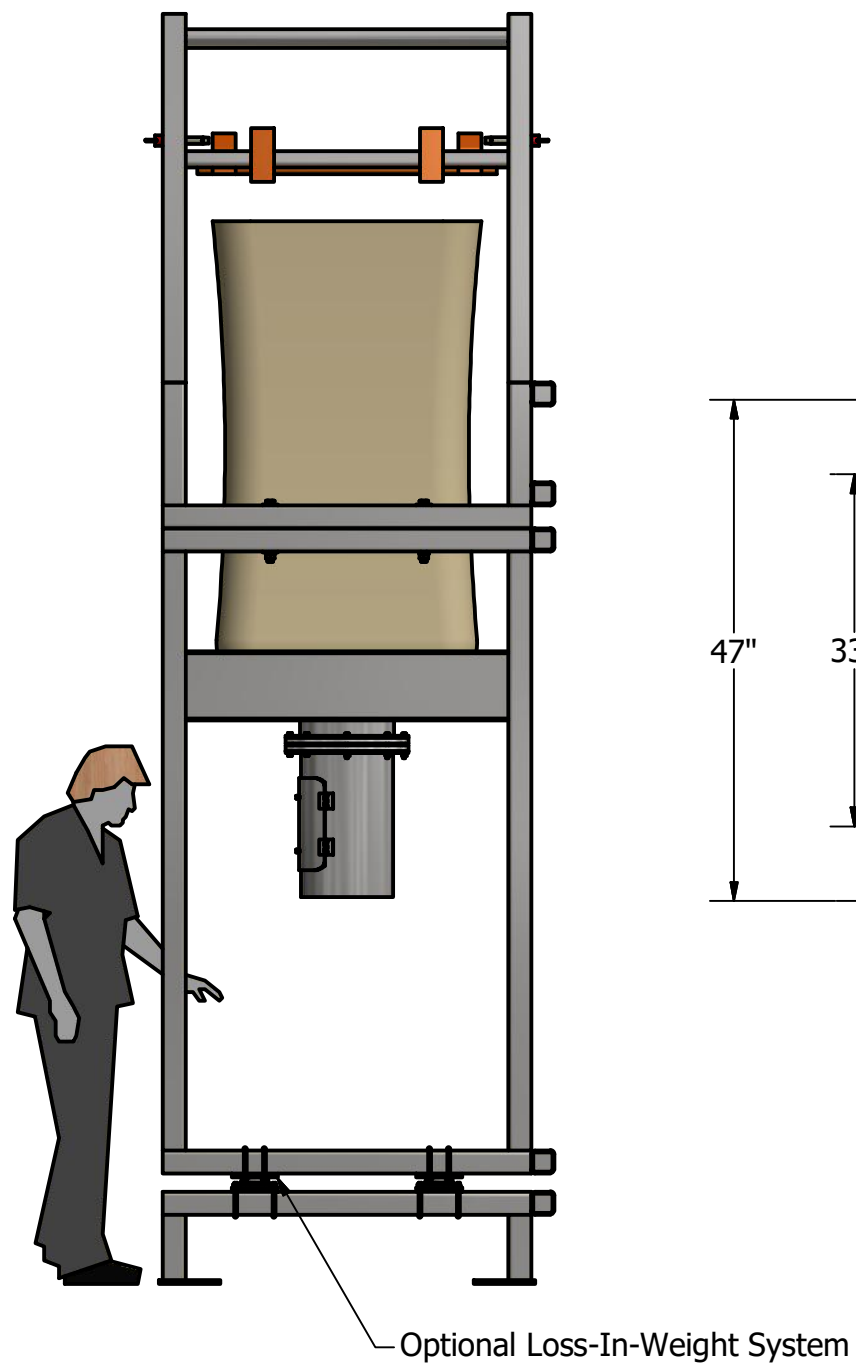
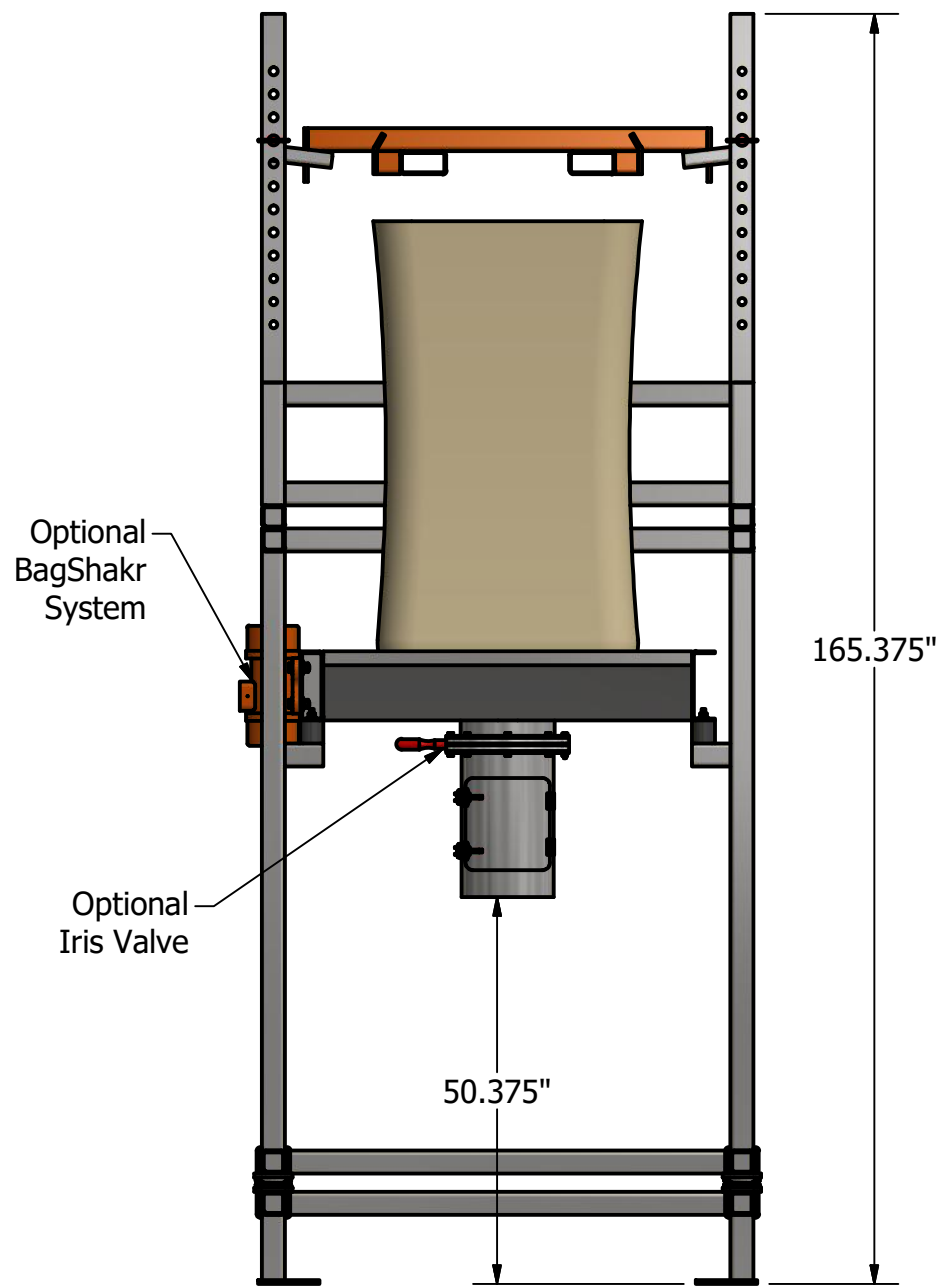
- **BagShakr System** - includes:
 - .75 HP, 1500# force, 100% duty cycle Heavy-Duty gyrator, 230-460/3/60
 - (4) Flex bolt sandwich isolators - rubber
 - NEMA 12 enclosure with gyrator "On/Off" selector switch, motor starter, relays, fuses, and terminal blocks
- **12" Manual Aluminum Iris Valve**
For the metering of material or for removing a partially empty bag from the system
- **Full System LIW (Loss-In-Weight)**
Allows batching from the system via (4) load cells mounted between the two lowermost modular frame sections. Once a batch has been entered into the scale controller's pre programmed (Rice Lake 920i) Loss-In-Weight mode, the system delivers accurate automatic batching
- **4" Square Tube Frame Construction**
Typically for heavier bags (required for 2 Ton units) or applications where heavier frame members are desired



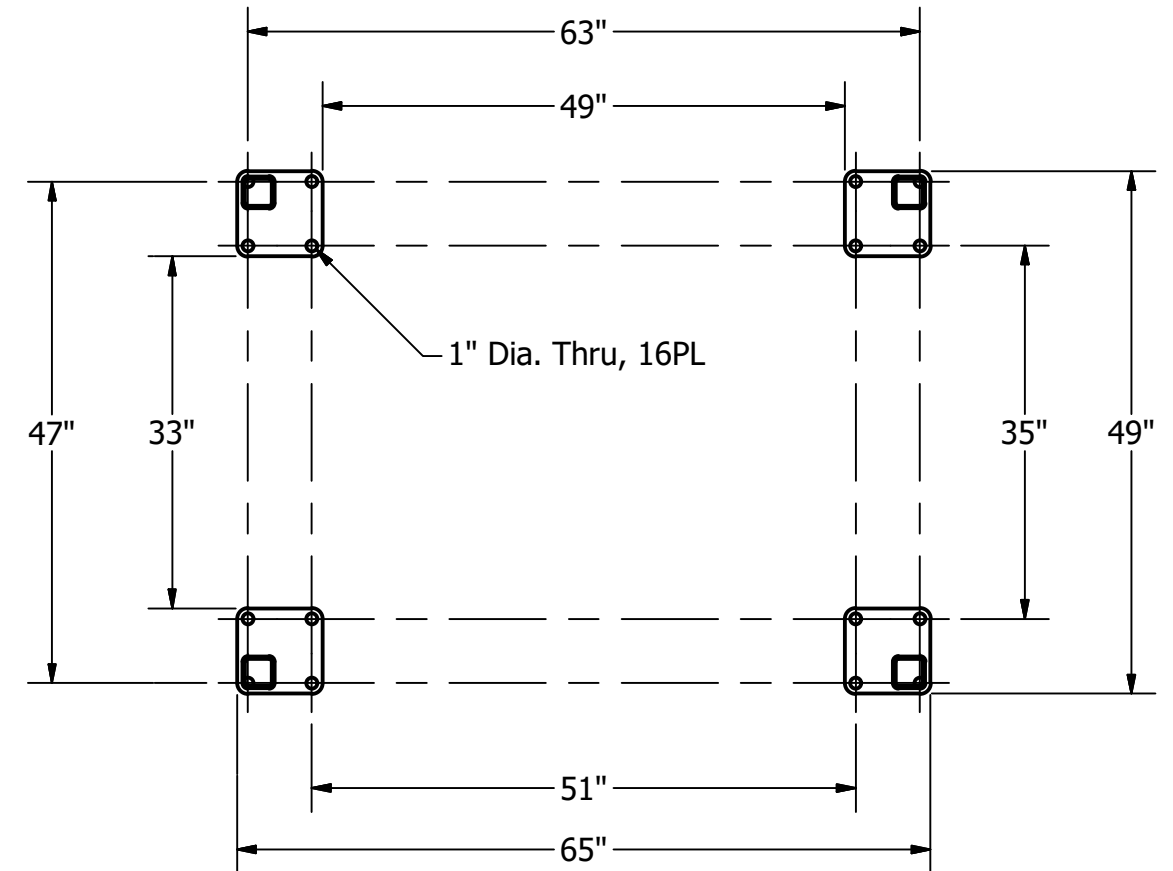
FormPak Inc.

Meeting Your Materials Handling Needs Since 1968

FormPak BagFlo-500FL (Fork Lift loaded) Bag Unloading System



UNLOADER FRAME FOOTPLATE MOUNTING PATTERN DETAIL



Outermost corner holes are covered by tubes, which leaves 12 holes available for fastening unit to floor

60" Tall Bag Shown

FormPak Inc.

Meeting Your Materials Handling Needs Since 1968