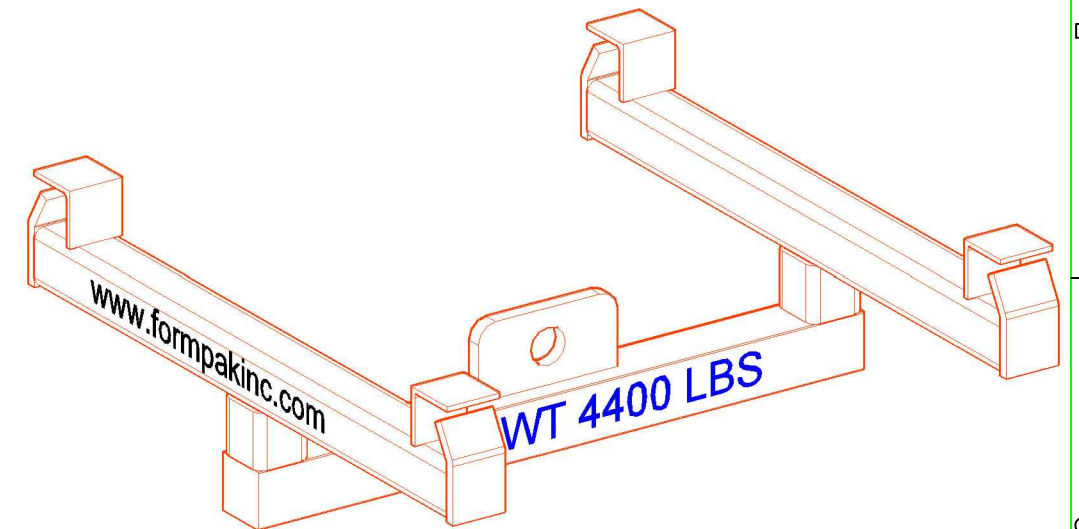
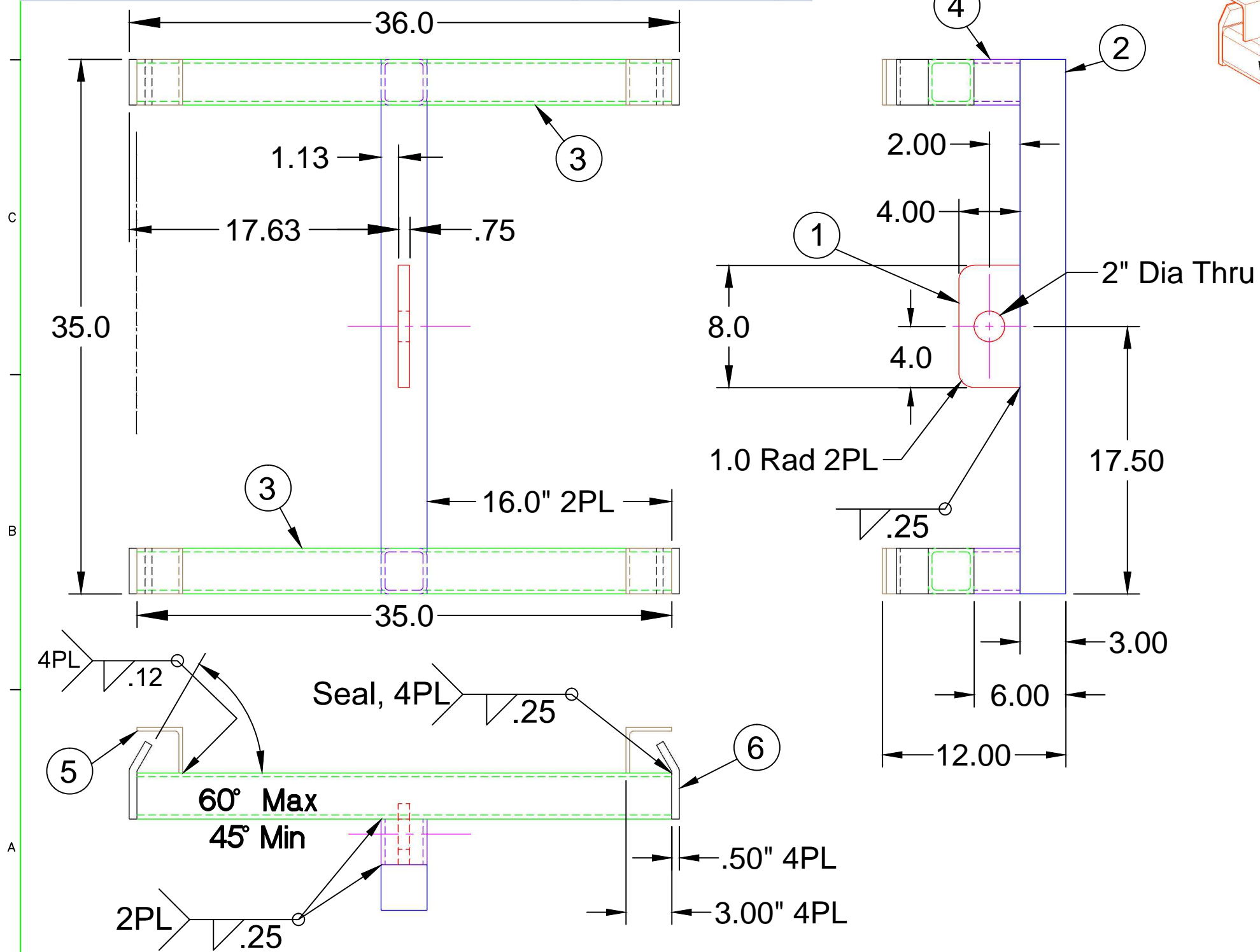


Item#	Description	Qty.	Wgt. per	Wgt (Est)
1	Main Lifting Plate 4" x 8" x 3/4" Thick Steel	1	6.49	6.49 lbs
2	3" x 3" x 35" Long Square Solid Steel Bar	1	87.89	87.89 lbs
3	3" x 3" x 1/4" Thk x 35" Long Square Structural Steel Tube	2	24.96	49.92 lbs
4	3" x 3" x 1/4" Thk x 3" Long Square Structural Steel Tube	2	2.20	4.41 lbs
5	3" x 3" x 1/4" Thk x 3" Long Structural Steel Angle	4	1.23	4.90 lbs
6	3" x 1/2" x 5-1/2" Steel Bar (bent)	4	2.36	9.46 lbs
	Weld			3.93 lbs
	Total Estimate			167.00 lbs
			appx	75.9 Kg



Tolerances Unless Otherwise Specified	SIZE B	 FormPak Inc. Meeting Your Materials Handling Needs Since 1968		
Fractions ± 1/16	Drawing Name	Low Head Crane Adapter Three-Inches-Lowered Profile 100-CA-LH		
Angles ± 1/2 °	Drawn By	Date	Scale	Sheet Number
.X ± .06	Jim Howe	9/06/2011	1:8	1 of 1
.XX ± .03	Revision "B"	Date	Drawing Number	
.XXX ± .015	Approved By	Date		000106