

THE ABOVE SPECIFICATIONS ARE SATISFACTORY AND ARE HEREBY ACCEPTED. FORMPAK INC. IS AUTHORIZED TO COMPLETE THE FOLLOWING WORK LISTED ABOVE

Signature: _____
 Date: _____

Project # _____
 Client Sales Drawing
 Designed By R. West
 Date 1/26/2021
 Checked _____
 Checked Date _____

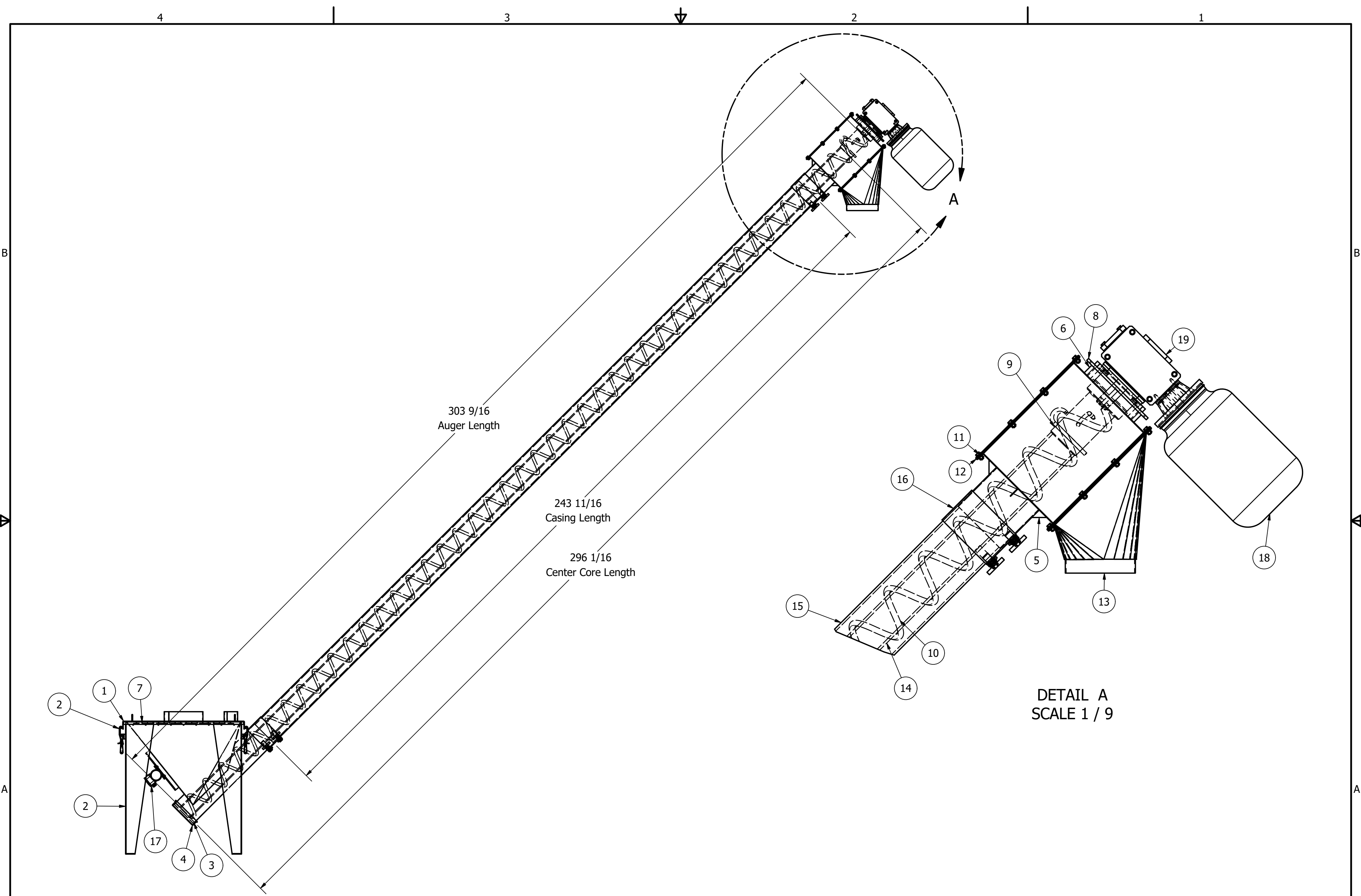
FormPak Inc.
 Meeting Your Materials Handling Needs Since 1968

Drawing Name: S80 FSC

Size	Scale	Drawing Number	Revision
C	1:20	005904	

Sheet 1 of 3

As Shown: As Noted:



303 9/16
Auger Length

243 11/16
Casing Length

296 1/16
Center Core Length

DETAIL A
SCALE 1 / 9

THE ABOVE SPECIFICATIONS ARE SATISFACTORY AND ARE HEREBY ACCEPTED. FORMPAK INC. IS AUTHORIZED TO COMPLETE THE FOLLOWING WORK LISTED ABOVE

As Shown: As Noted:

Signature: _____

Date: _____

Project # _____

Client Sales Drawing

Designed By R. West

Date 1/26/2021

Checked _____

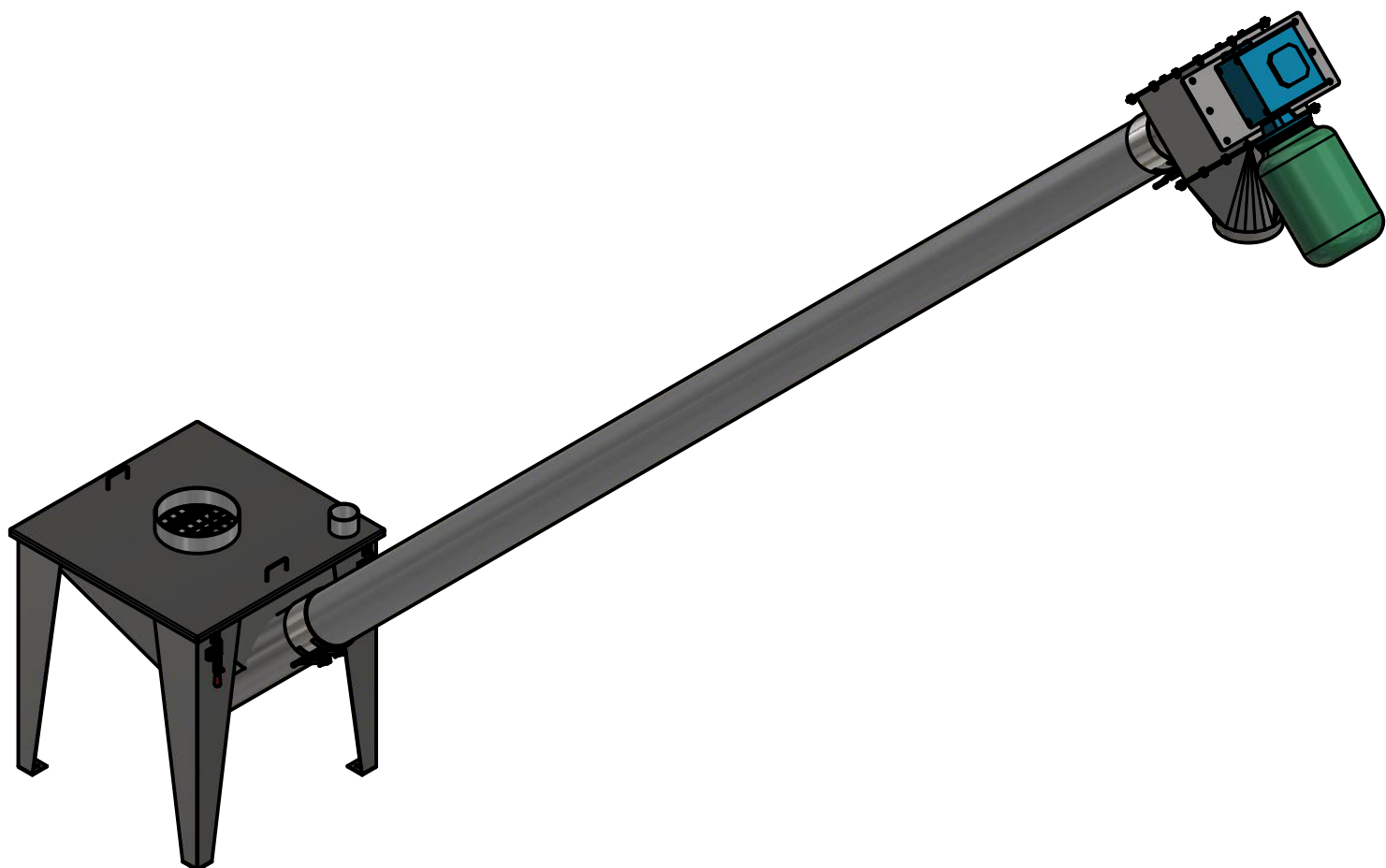
Checked Date _____

 Meeting Your Materials Handling Needs Since 1968		Drawing Name		S80 FSC	
		Size	Scale	Drawing Number	Revision
C	1:20	005904			
Sheet 2 of 3					

ITEM	DESCRIPTION	MATERIAL	PART NUMBER	QTY	MASS	
1	36 x 36 Hopper Lid	Stainless Steel, 304	003176	1	63.845 lbmass	
2	S80 36 x 36 Hopper	Stainless Steel, 304	005850	1	174.801 lbmass	
3	S80 Cap Seal	UHMW, White	003774	1	1.927 lbmass	
4	S80 Endcap	Stainless Steel, 304	003773	1	4.413 lbmass	
5	S80 Drive Box (Right Angle)	Stainless Steel, 304	003771	1	27.295 lbmass	
6	Right Angle Spacer	UHMW, White	002045	1	3.349 lbmass	
7	Grate	Stainless Steel, 304	3815250048	1	15.912 lbmass	
8	S80 Mounting Plate	Stainless Steel, 304	002043	1	26.818 lbmass	
9	S80 Auger Adapter for Round Wire Auger	Stainless Steel, 304	005968	1	76.747 lbmass	
10	S80 Round Wire Auger 7" OD, 5" ID, 7" Pitch	Stainless Steel, 304	303-9/16 in	1	139.104 lbmass	
11	Drive Box Cover	Stainless Steel, 304	001095	1	6.575 lbmass	
12	Drive Box Gasket	Rubber, Silicone	001101	2	0.457 lbmass	
13	S80 45 Deg 10in Discharge	Stainless Steel, 304	005690	1	23.312 lbmass	

14	Center Core S80 4.7 OD	UHMW, White	296-1/16 in	1	48.090 lbmass	
15	S80 Casing	UHMW, White	243-11/16	1	67.541 lbmass	
B 16	S80 Coupling HD	Stainless Steel, 304	HD80	2	4.679 lbmass	B
17	Hopper Vibrator - 0.12 Hp (230-480/3/60)	Steel, Mild	MVE 160/2	1	3.874 lbmass	
18	15 HP TEFC MOTOR (230-480/3/60)	Steel, Mild	171587	1	284.000 lbmass	
19	Right Angle Gearbox (5:1)	Steel, Mild	GR-FMQ842-5-LL-250	1	241.420 lbmass	

22	Plain Washer	Stainless Steel, 304	3/8	40	0.012 lbmass	
23	Hex Bolt	Stainless Steel, 304	3/8-16 UNC - 0.875	20	0.048 lbmass	
24	Hex Nuts	Stainless Steel, 304	3/8 - 16	20	0.018 lbmass	
25	S80 JBolt	Steel, Mild	005985	2	0.566 lbmass	
				Total Estimate	1185.673 lbmass	
				appx	537.8 Kg	



Project #				
Client	Sales Drawing			
Designed By	R. West	Drawing Name	S80 FSC	
Date	1/26/2021	Size	Scale	Revision
Checked		B	Sheet 3 of 3	Drawing Number
Checked Date				

4

3

2

1