

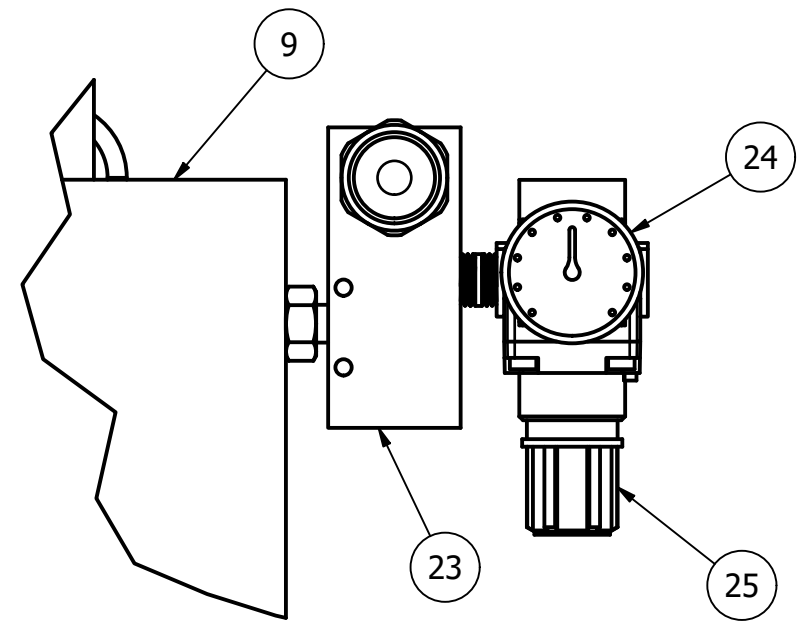
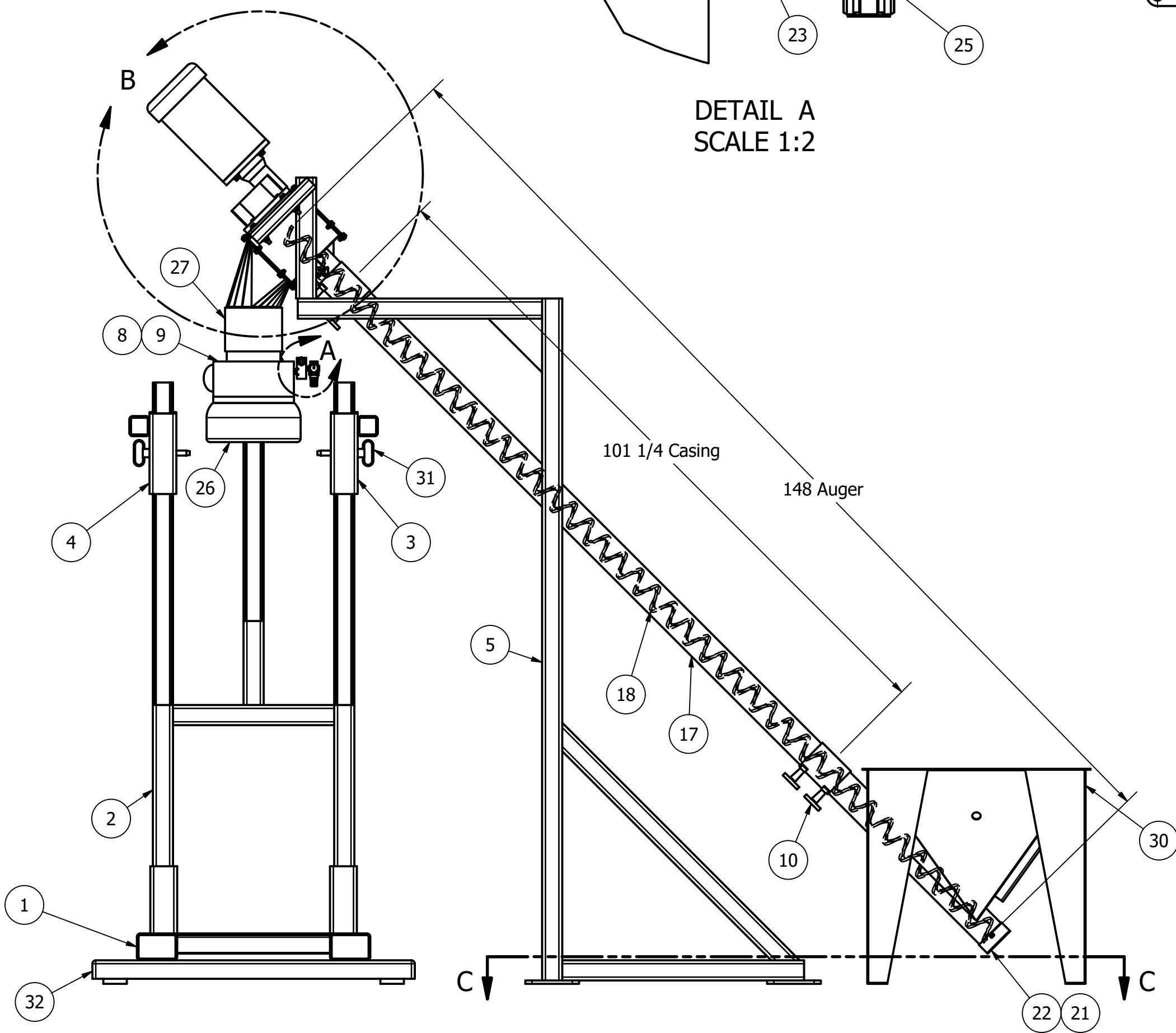
THE ABOVE SPECIFICATIONS ARE SATISFACTORY AND ARE HEREBY ACCEPTED. FORMPAK INC. IS AUTHORIZED TO COMPLETE THE FOLLOWING WORK LISTED ABOVE

Signature: _____

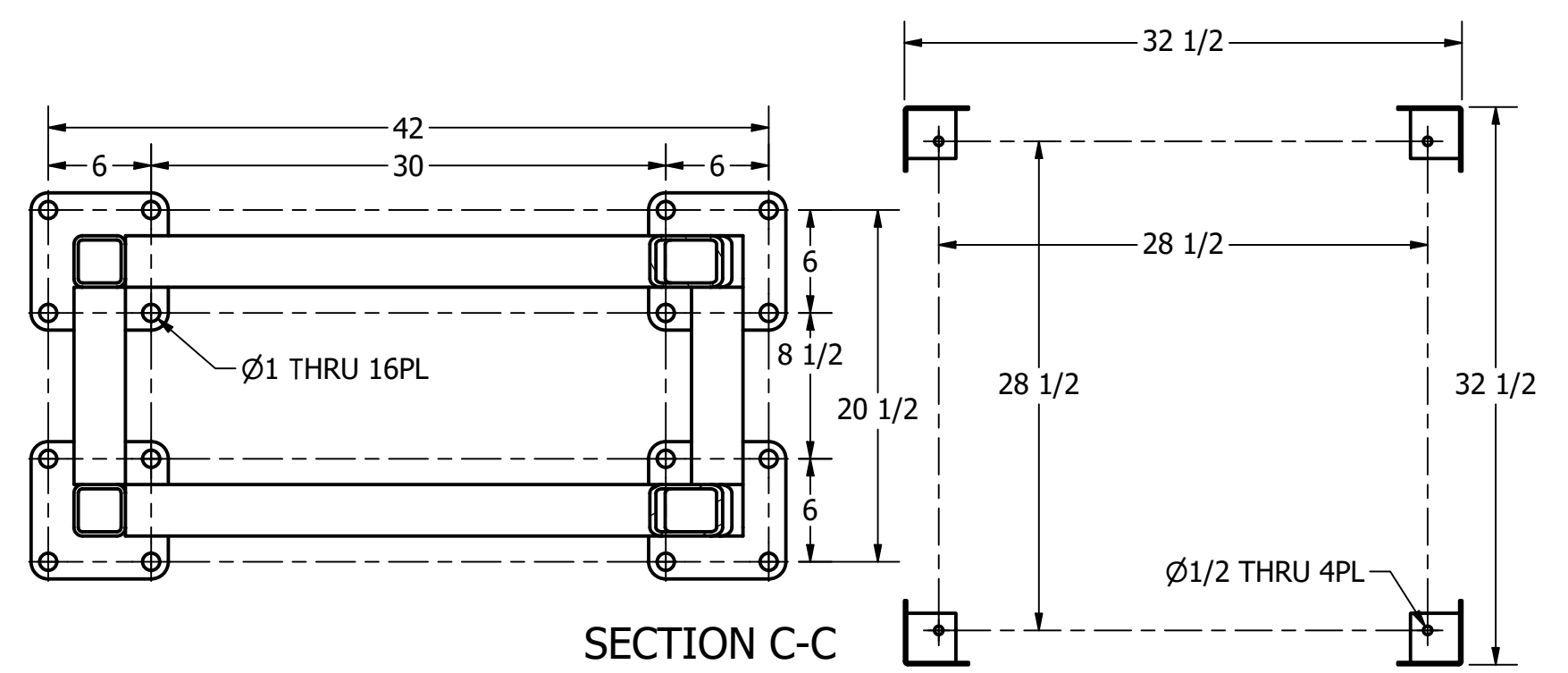
Date: _____

As Shown: As Noted:

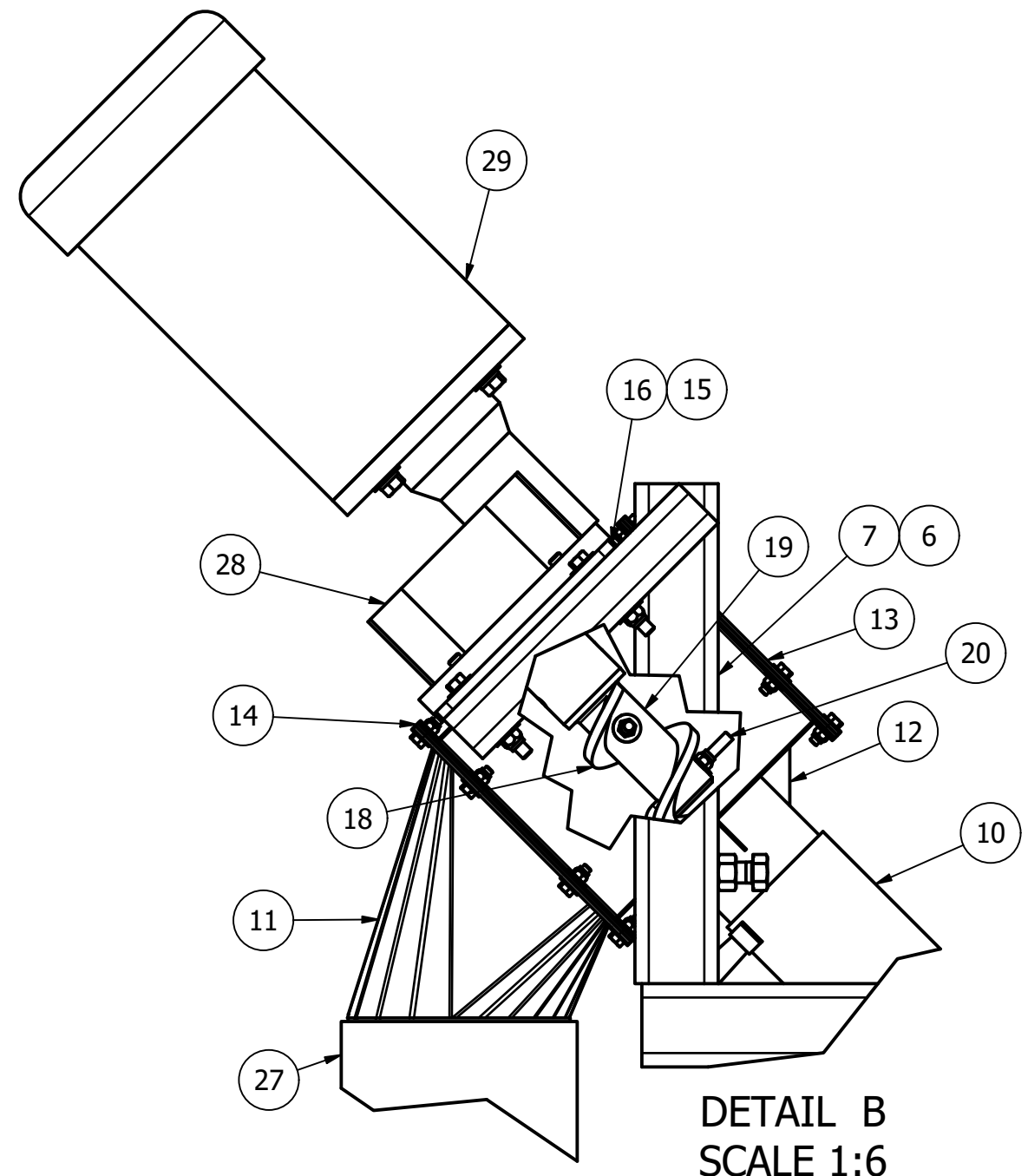
Project #	20892	FormPak Inc. Meeting Your Materials Handling Needs Since 1968	
Client	Harp Renewables		
Designed By	Rob K	Drawing Name	2100-SS
Date	1/7/2021	FlexFlo 45	
Checked		Size	Scale
Checked Date		C	1:16
		Sheet 1 of 3	
		Drawing Number	006349
		Revision	



DETAIL A
SCALE 1:2



SECTION C-C
SCALE 1:10



DETAIL B
SCALE 1:6

THE ABOVE SPECIFICATIONS ARE SATISFACTORY AND ARE HEREBY ACCEPTED. FORMPAK INC. IS AUTHORIZED TO COMPLETE THE FOLLOWING WORK LISTED ABOVE

As Shown: As Noted:

Signature: _____
Date: _____

Project # 20892
Client Harp Renewables
Designed By Rob K
Date 1/7/2021
Checked _____
Checked Date _____

FormPak Inc.
Meeting Your Materials Handling Needs Since 1968

Drawing Name 2100-SS
FlexFlo 45

Size C	Scale	Sheet 2 of 3	Drawing Number 006349	Revision
--------	-------	--------------	-----------------------	----------

