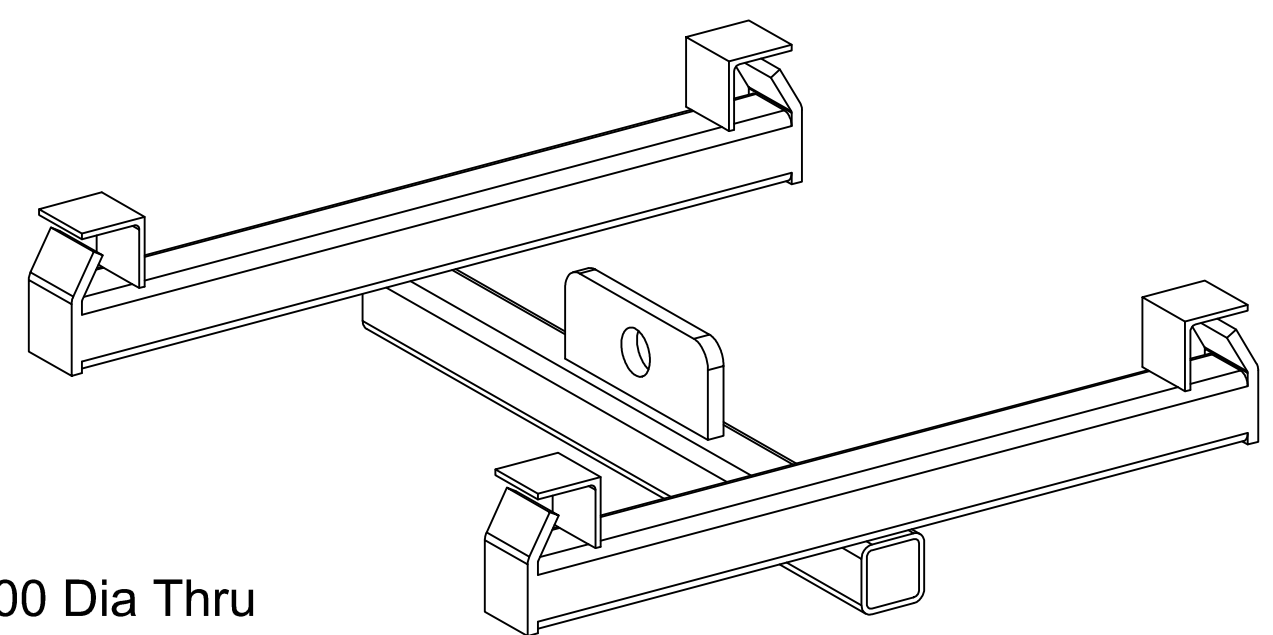
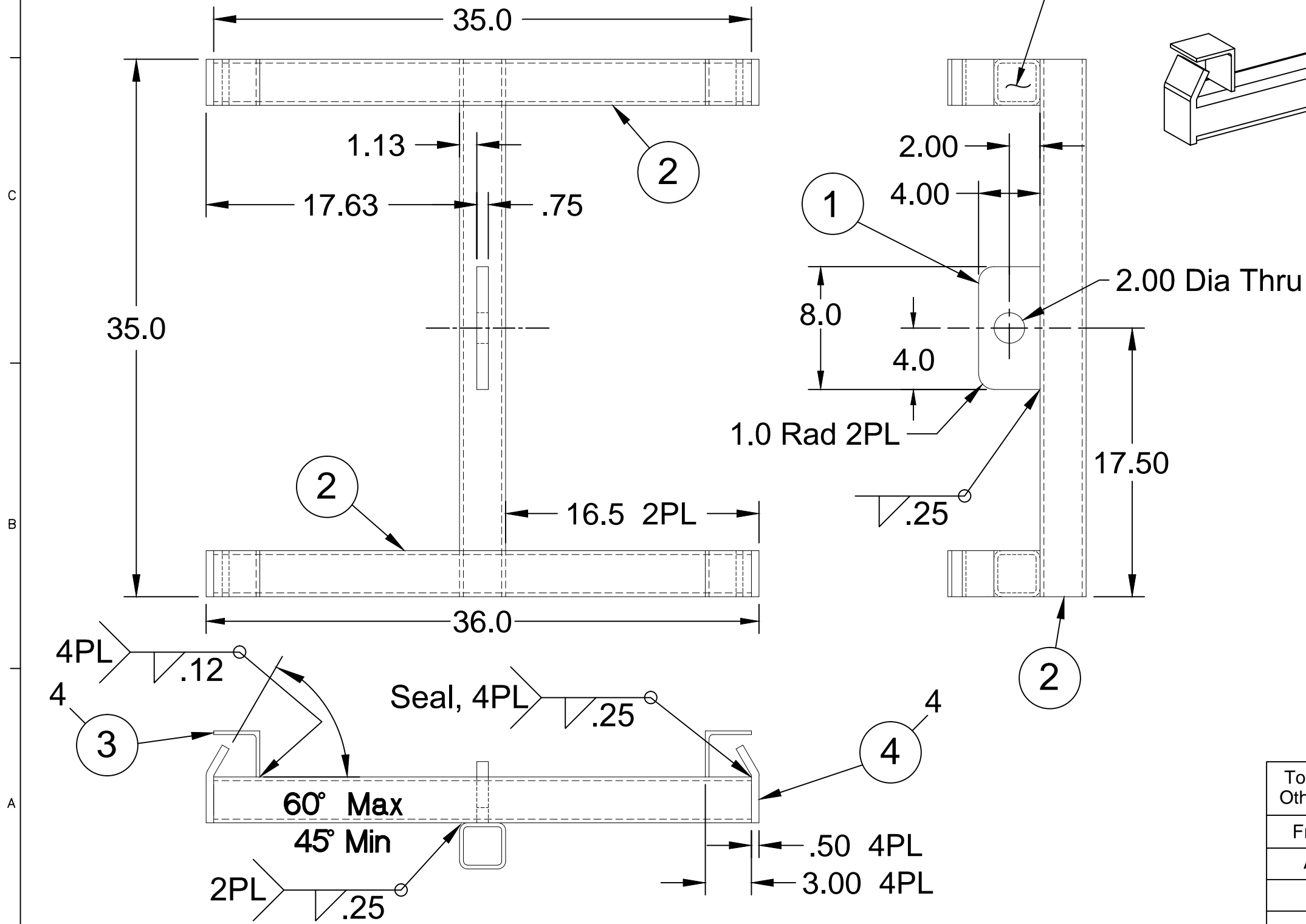


Item#	Description	Qty.	Wgt. per	Wgt (Est)
1	Main Lifting Plate 4" x 8" x 3/4" Thick Steel P/N 000026	1	6.06	6.06 lbs
2	3" x 3" x 1/4" Thk x 35" Long Square Structural Steel Tube	3	25.70	77.09 lbs
3	3" x 3" x 1/4" Thk x 3" Long Structural Steel Angle	4	1.23	4.90 lbs
4	3" x 1/2" x 5-1/2" Steel Bar (bent)	4	2.15	8.60 lbs
5	2-1/2" x 2-1/2" x 1/8" Steel Sheet End Caps	2	0.22	0.45 lbs
	Weld allowance			1.94 lbs
	Total Estimate			99.00 lbs
			appx	44.9 Kg



Tolerances Unless Otherwise Specified	SIZE <b>B</b>	 Meeting Your Materials Handling Needs Since 1968		
	Drawing Name		<b>BagLift-100CA</b> Crane Adapter	
Fractions ± 1/16	Drawn By	Date	Scale	Sheet Number
Angles ± 1/2 °	Jim Howe	6/18/2010	1:8	1 of 1
.X ± .06	Revision	Date	Drawing Number	<b>100 CA</b>
.XX ± .03	"C"	12/3/2012		
.XXX ± .015	Approved By	Date		