

8" 150 LB Flange
SCALE 1:4

SECTION A-A
SCALE 1:12

THE ABOVE SPECIFICATIONS ARE SATISFACTORY AND ARE HEREBY ACCEPTED. FORMPAK INC. IS AUTHORIZED TO COMPLETE THE FOLLOWING WORK LISTED ABOVE

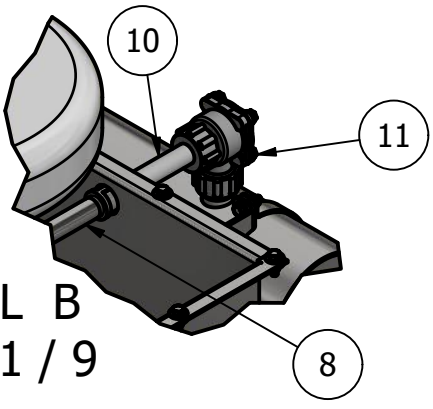
Signature: _____
Date: _____

Project # _____
Client _____
Designed By **RWest**
Date **10/21/2019**
Checked _____
Checked Date _____

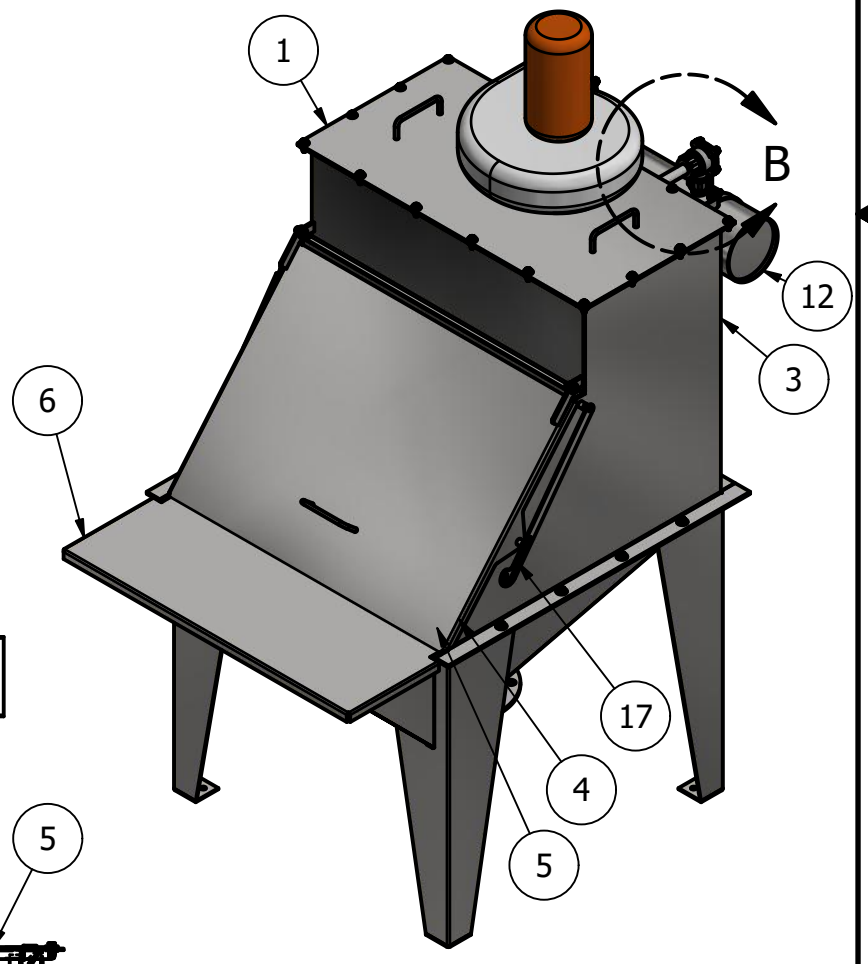
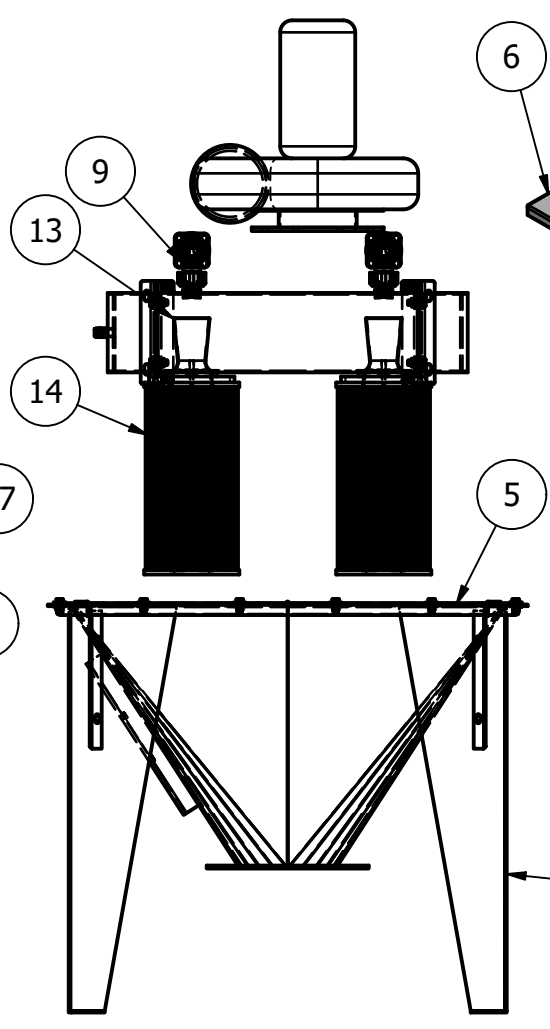
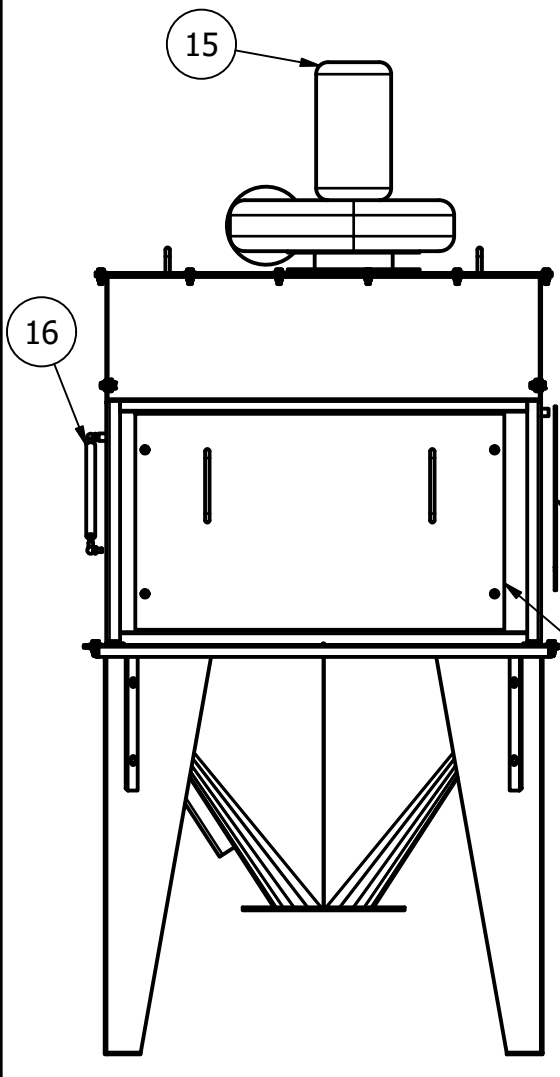
FormPak Inc. <i>Meeting Your Materials Handling Needs Since 1968</i>			
Drawing Name: Bag Break 400 w Dual Filters			
Size	Scale	Drawing Number	Revision
C	1:12	005688	B
Sheet 1 of 2			

As Shown: As Noted:

ITEM	DESCRIPTION	MATERIAL	PART NUMBER	QTY	MASS
1	Top Cover	Steel, Mild	003419	1	25.691 lbmass
2	Front Cover	Steel, Mild	003417	1	19.630 lbmass
3	Dust Hood	Steel, Mild	003411	1	153.308 lbmass
4	Lid	Steel, Mild	003415	1	39.027 lbmass
5	Grate	Steel, Mild	003413	1	31.110 lbmass
6	Shelf	Steel, Mild	003565	1	29.943 lbmass
7	36x36 Hopper	Steel, Mild	005359	1	173.445 lbmass
8	3/4 NPT 8 Long Pipe	Stainless Steel, 304	4830K199	2	0.751 lbmass
9	3/4 NPT Elbow	Stainless Steel, 304	4464K15	2	0.387 lbmass
10	3/4 NPT x 6 Pipe Nipple(Threaded on One End)	Stainless Steel, 304	9157K950	2	0.070 lbmass
11	Diagram Valve	Aluminum	RCA20DD4002	2	0.543 lbmass
12	Air Tank	Stainless Steel, 304	003423	1	36.869 lbmass
13	Filter Mount	Aluminum		2	0.684 lbmass
14	Donaldson Cartridge Filter	Polyethylene, Low Density	P 148646-016-340	2	16.448 lbmass
15	Blower 120/1/60	Aluminum	PB8	1	141.598 lbmass
16	Gas Piston	Steel, mild	6in Stroke	1	1.299 lbmass
17	Locking Arm	Steel, Mild	003630	1	0.676 lbmass
18	Hex Bolt	Steel, Mild	3/8-16 UNC - 1	12	0.052 lbmass
19	Hex Bolt	Steel, Mild	5/16-18 UNC - 1	18	0.036 lbmass
20	Plain Washer	Steel, Mild	3/8	24	0.012 lbmass
21	Plain Washer	Steel, Mild	5/16	36	0.009 lbmass
22	Prevailing Torque Type Hex Nut	Steel, Mild	5/16 - 18 Top Insert Type	18	0.015 lbmass
23	Prevailing Torque Type Hex Nut	Steel, Mild	3/8 - 16 Top Insert Type	12	0.022 lbmass
				Total Estimate	701.653 lbmass
				appx	318.3 Kg



DETAIL B
SCALE 1 / 9



Project #		 Meeting Your Materials Handling Needs Since 1968			
Client					
Designed By		RWest		Drawing Name	
Date		10/21/2019		Bag Break 400 w Dual Filters	
Checked		Size	Scale	Drawing Number	Revision
Checked Date		B	1:18		
		Sheet 2 of 2			

4 | 3 | 2 | 1