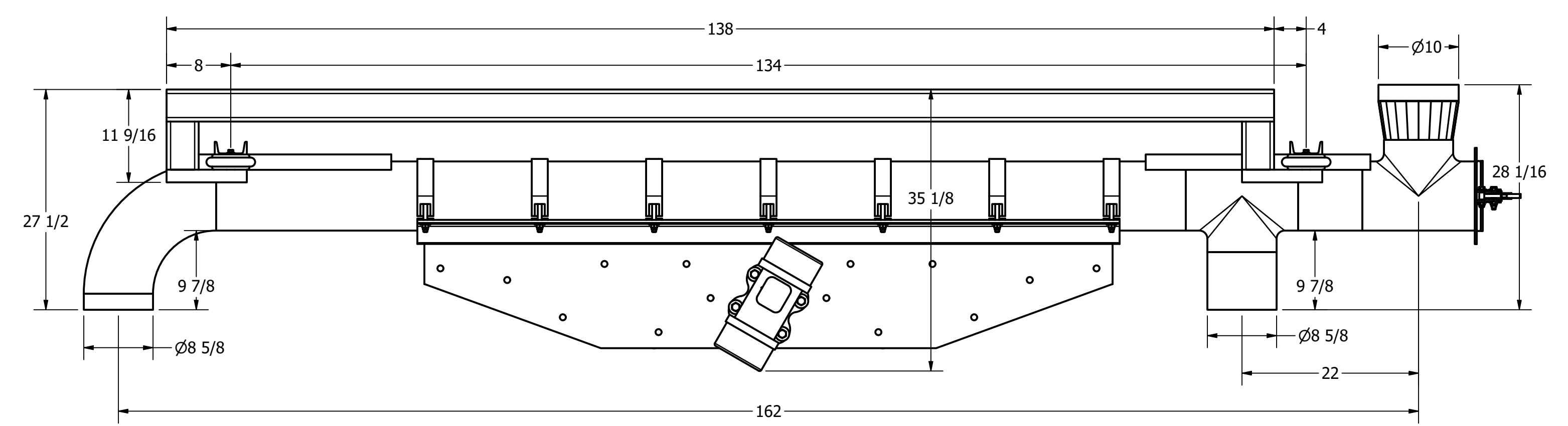
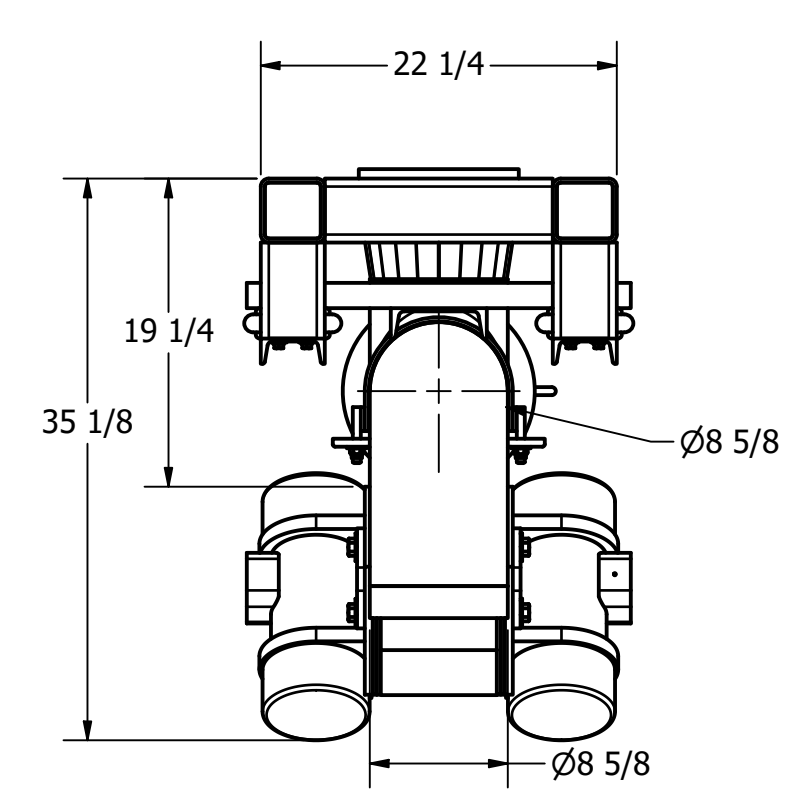
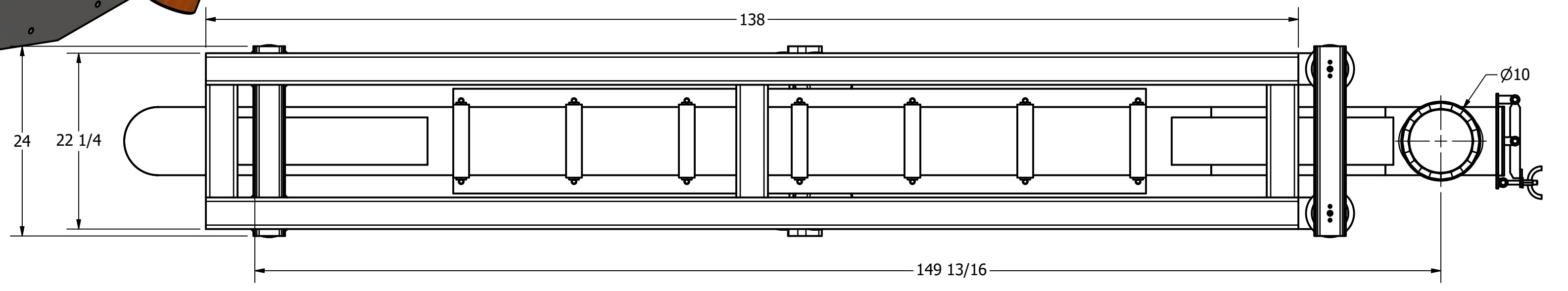
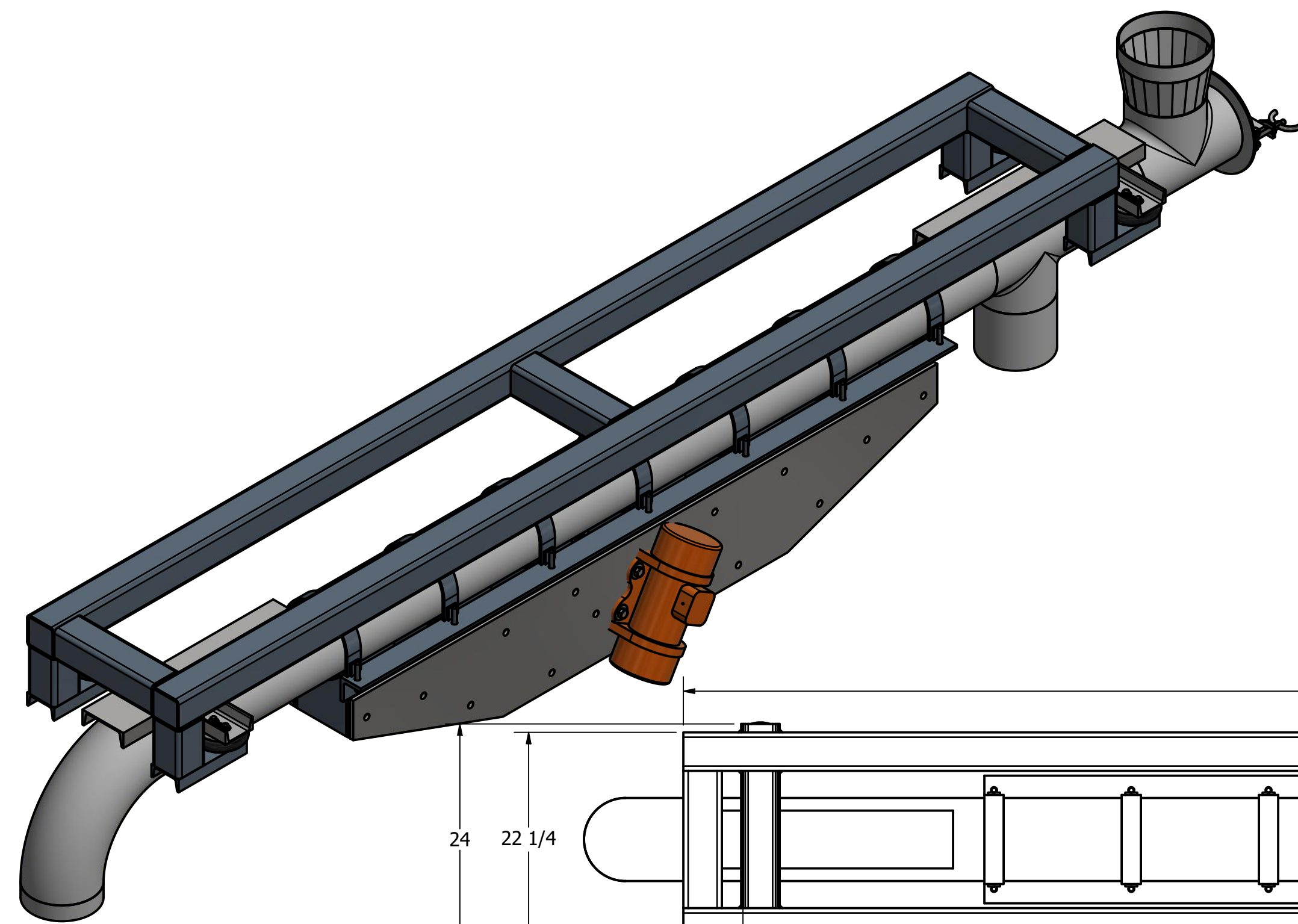


# INTERIOR OF TUBE FEEDER TO BE ELECTRO-POLISHED



THE ABOVE SPECIFICATIONS ARE SATISFACTORY AND ARE HEREBY ACCEPTED. FORMPAK INC. IS AUTHORIZED TO COMPLETE THE FOLLOWING WORK LISTED ABOVE

As Shown:  As Noted:

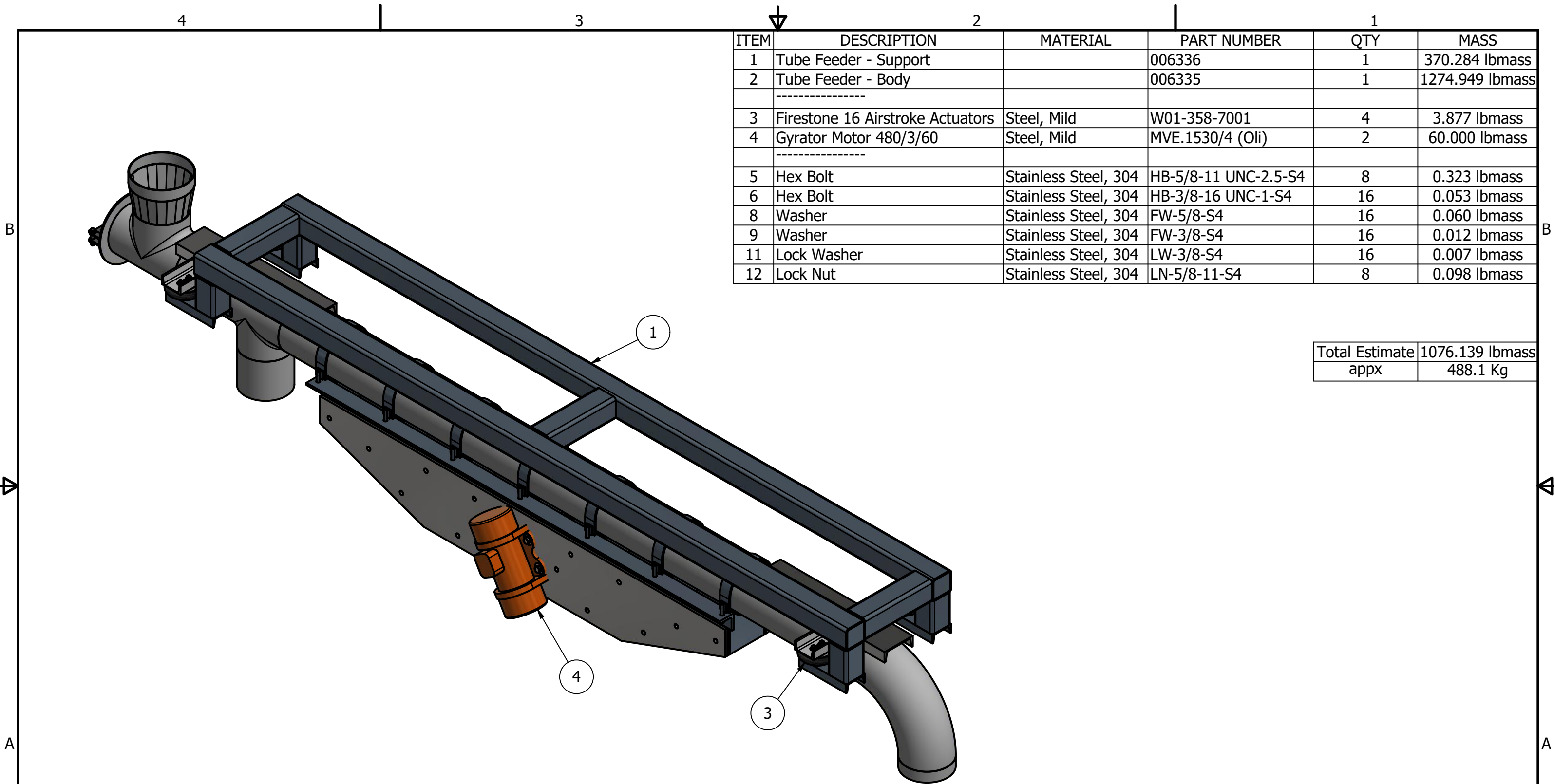
Signature: \_\_\_\_\_  
Date: \_\_\_\_\_

Project # 20837  
Client \_\_\_\_\_  
Designed By Rob K  
Date 1/8/2021  
Checked \_\_\_\_\_  
Checked Date \_\_\_\_\_

**FormPak Inc.**  
Meeting Your Materials Handling Needs Since 1968

8in Tube Feeder

Size C	Scale 1:12	Drawing Number 006334	Revision A
Sheet 1 of 2			



ITEM	DESCRIPTION	MATERIAL	PART NUMBER	QTY	MASS
1	Tube Feeder - Support		006336	1	370.284 lbmass
2	Tube Feeder - Body		006335	1	1274.949 lbmass
	-----				
3	Firestone 16 Airstroke Actuators	Steel, Mild	W01-358-7001	4	3.877 lbmass
4	Gyrator Motor 480/3/60	Steel, Mild	MVE.1530/4 (Oli)	2	60.000 lbmass
	-----				
5	Hex Bolt	Stainless Steel, 304	HB-5/8-11 UNC-2.5-S4	8	0.323 lbmass
6	Hex Bolt	Stainless Steel, 304	HB-3/8-16 UNC-1-S4	16	0.053 lbmass
8	Washer	Stainless Steel, 304	FW-5/8-S4	16	0.060 lbmass
9	Washer	Stainless Steel, 304	FW-3/8-S4	16	0.012 lbmass
11	Lock Washer	Stainless Steel, 304	LW-3/8-S4	16	0.007 lbmass
12	Lock Nut	Stainless Steel, 304	LN-5/8-11-S4	8	0.098 lbmass

Total Estimate	1076.139 lbmass
appx	488.1 Kg

THE ABOVE SPECIFICATIONS ARE SATISFACTORY AND ARE HEREBY ACCEPTED. FORMPAK INC. IS AUTHORIZED TO COMPLETE THE FOLLOWING WORK LISTED ABOVE

Signature: \_\_\_\_\_  
 Date: \_\_\_\_\_

As Shown:  As Noted:

Project # 20837  
 Client \_\_\_\_\_  
 Designed By Rob K  
 Date 1/8/2021  
 Checked \_\_\_\_\_  
 Checked Date \_\_\_\_\_

**FormPak Inc.**  
 Meeting Your Materials Handling Needs Since 1968

Drawing Name: 8in Tube Feeder

Size	Scale	Drawing Number	Revision
<b>B</b>	1:14	006334	A
Sheet 2 of 2			

