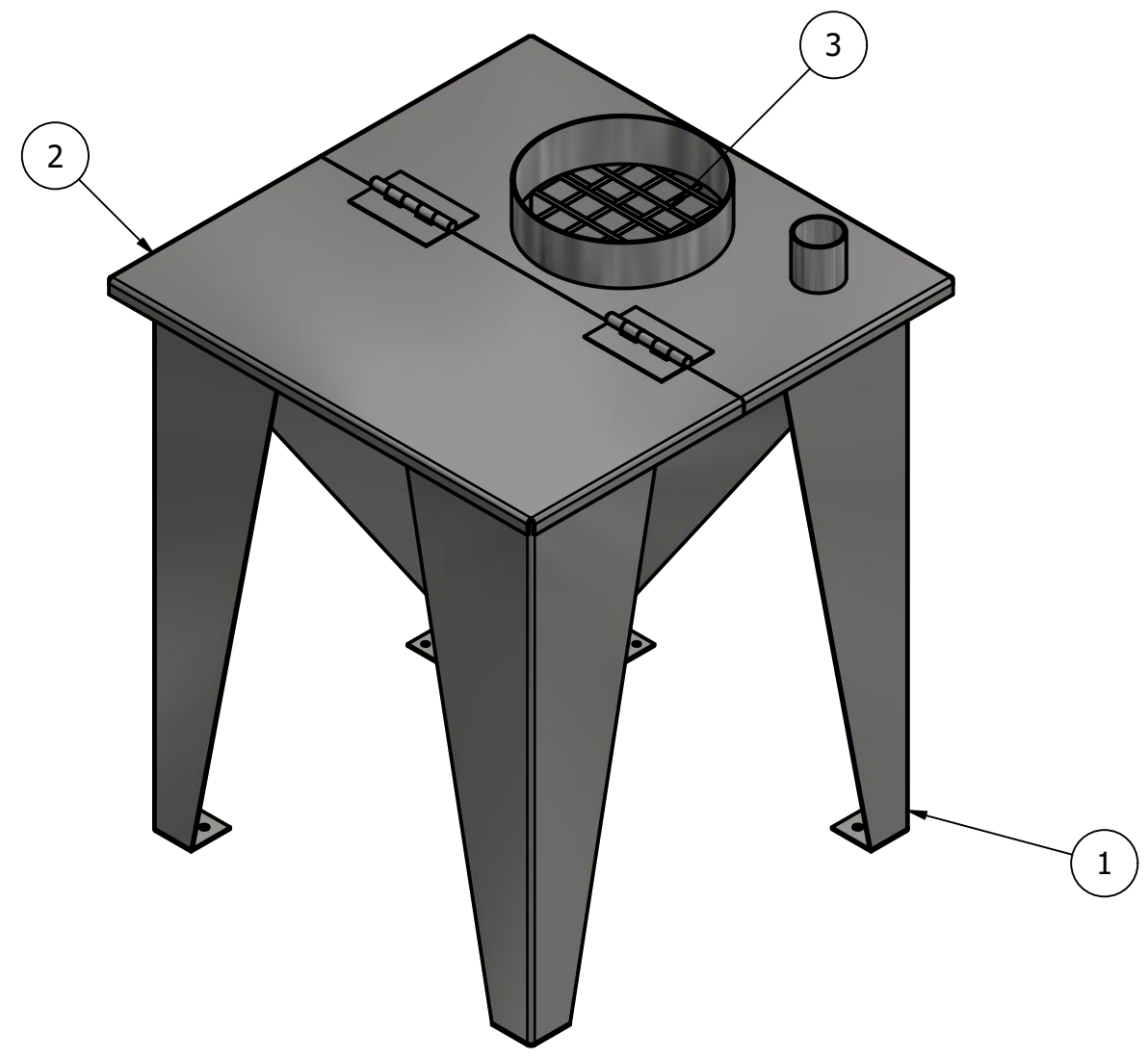
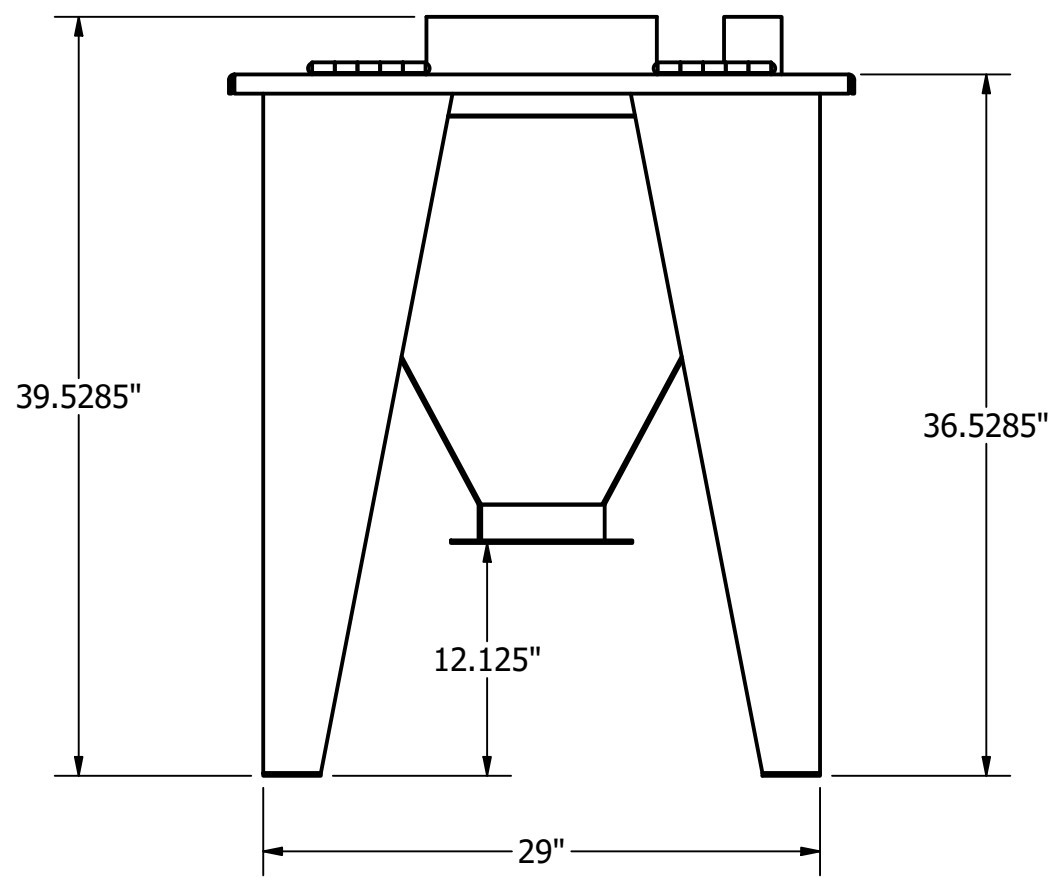
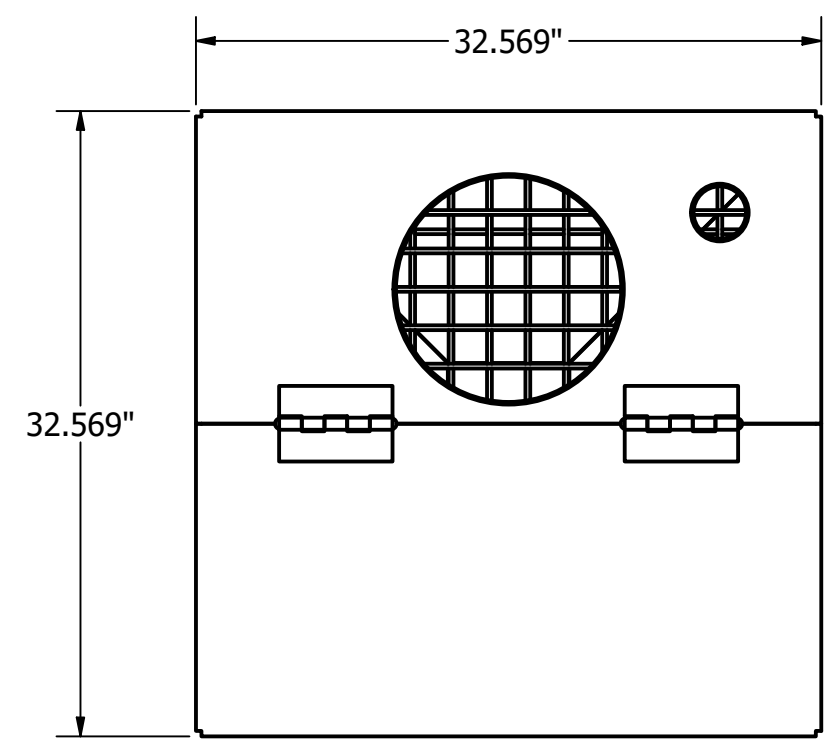


Item	Description	Part Number	Qty.	Wgt. Per	Wgt. (Est.)
1	5 Cubic Foot Hopper	002862 - Rev A	1	156.823 lbm	156.823 lbm
2	Hopper Lid	002864 - Rev A	1	48.071 lbm	48.071 lbm
3	Hopper Grating	002866	1	11.033 lbm	11.033 lbm
Total Estimate					215.928 lbm
				appx.	97.943 kg



TOLERANCES UNLESS OTHERWISE SPECIFIED	Project #	 Meeting Your Materials Handling Needs Since 1968		
	Client			
	FRAC. ± 1/16	Designed By	B. Harms	
	ANGLE. ± 1/2	Approval Date	01/18/2016	
	.X ± .06	Checked	R. Contreras	
.XX ± .03	Checked Date	01/18/2016		
.XXX ± .015		Size	Scale	Revision
		<b>B</b>	1:10	-
		Sheet of 0		Drawing Number
				002745