

FormPak, Inc.

BagPak 2100-SS (Spout Top-Scale Controlled)

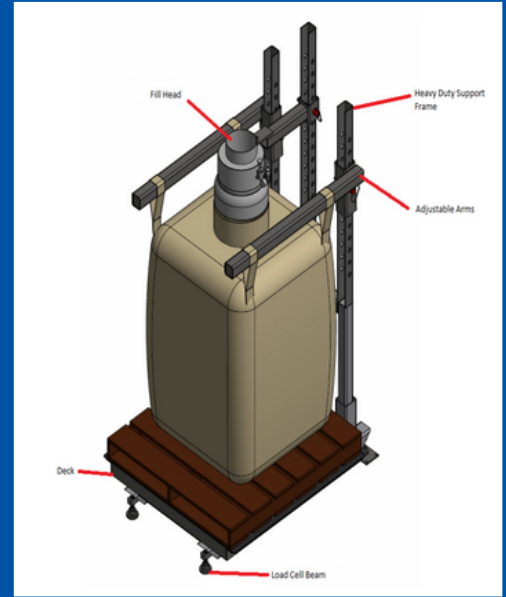
Application

Duffle Top Bulk bag (Super Sack) loading frame

Design

Constructed of a heavy-duty structural steel frame, and a stainless steel two-piece fill spout. The BagPak 2100- SS bulk bag filler offers dust-controlled filling of spout top bags up to 4,400#. This comes with 4 load cells mounted within framework. The air expanded natural rubber boot seals the bag spout to the filling machine during the filling cycle, providing dust tight filling. Other features include FormPak's exclusive one-man "easy adjust" holder arms and independently adjustable fill head for quick bag size change. This equipment conforms to ASME standards regarding structural design and operator safety.

Bulk Bag Filler

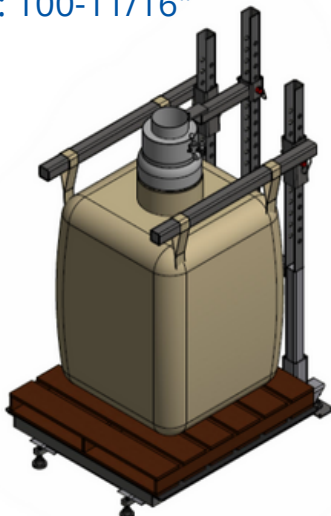


Watch the video [HERE](#)

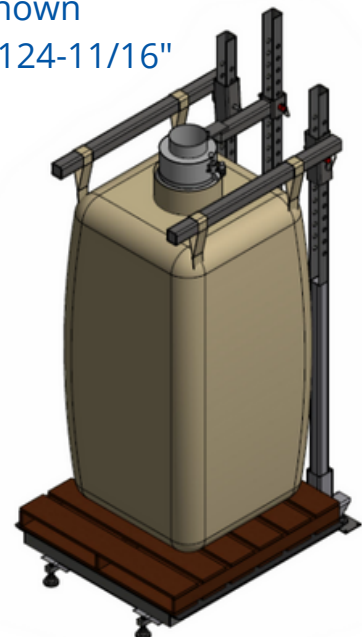
CUSTOM - CONFIGURATION

Items below are custom designed around application requirements

BagPak-2100SS "Standard"
Adjustable for bags 30"-64"
52" Tall Bag Shown
Machine Hgt: 100-11/16"



BagPak-2100SS "Grande"
Adjustable for Bags 54"-88"
76" Tall Bag Shown
Machine Hgt: 124-11/16"



FormPak, Inc.

BagFlo 2100-SS (Spout Top-Scale Controlled)



Materials:

Product contact parts: Mild or Stainless Steel (304, 304L, 316, 316L, in mill, bead blasted, 2B, or custom finish

Painting:

Standard is Enamel paint light grey RAL 7035
Optional Epoxy, Steel-It, & any custom color

Temperature-Limits:

Ambient:
0° - 105°F (-20° - 40°C)

Explosion Proof (NEC)

Options :

Standard:

Class II, Div II, Group F&G

Optional:




Class I, Div II, Group C&D

Class I, Div I, Group F&E

Controller: Standard design includes an Allen-Bradley On/Off switch in NEMA 12 J-box. When densification option is added.

BagShaker Vibrator: 1,500# Max Force, 0-100% adjustable force eccentrics, 1 HP, motor speed 1,800 RPM, TENV

OPTIONS:

<p>Densification</p>	<p>Use to help material settle inside the Bulk bag.</p>	<p>By flex connecting the work platform to (4) isolators and mounting a 1,500# force, 1 HP dual shafted gyrator, the bag can be densified via high frequency vibration. This is done via selector switch mounted in a NEMA 12 control panel- includes motor starter, terminal strip, and disconnect and fuses. SHipped loose for remote mounting.</p>	
<p>Scale</p>	<p>Platform (Load Cells) allow for weighing and batching of material to load bags</p>	<p>3' x 3', 5,000# capacity floor scale with digital weight indicator, integration/ assembly of filter & scale with hardware & electronics</p>	
<p>Pallet Deck Only</p>	<p>To support pallets.</p>	<p>Same 4'x4' diamond plate plate as on Densification System but no Isolators or vibrator.</p>	

FormPak, Inc.

BagFlo 2100-SS (Spout Top-Scale Controlled)



OPTIONS (Continued):

<p>Low Head Design</p>		<p>Allows bag to be removed from machine with pallet jack instead of fork lift, or in low head applications.</p>	
<p>8" Salina Vortex</p>	<p>Manual or Actuated Slide Gate Valves allow for metering material flow from system, or shutting off flow completely.</p>	<p>Stainless steel slide gate valve, one solenoid, two position stops (full open and closed) with carbon steel frame and mount, and pre-wired terminal box. Same valve with Open/Closed/Dribble positions and fail safe closure (if power outage while filling)</p>	
<p>SACV (Service Air Control Valve)</p>	<p>This is use to inflate the bag liner and also will divert the air to the dust collector</p>	<p>For lined bags, when in-plant dust collection is used and bag liner inflation is required through the same port. Unit will allow compressed air to run through the amplifier, filling the bag with air. When operator hits the "Start" button, a diverter valve will open that leg of the unit and the compressed air amplifier will pre-inflate bag liner for a pre-set (adjustable) time. Once bag is filled with air, the diverter will switch to the dust collector side, (there is a vacuum break on the dust collector leg to adjust CFM).</p>	
<p>Air Inflation for Lined Bags</p>	<p>To inflate the bag liner.</p>	<p>Utilizes an air amplified (compressed air driven) venturi system with integral cartridge filter. Mounts to 3" dust inflation port on fill head via flex tube. Shipped loose for remote installation</p>	